

Hoshizaki America, Inc.

Crescent Cube Icemaker/Dispenser

Models

DKM-500BAH

DKM-500BWH



“A Superior Degree
of Reliability”

www.hoshizaki.com

PARTS LIST



Number: 71253
Issued: 11-2-2001
Revised: 2-21-2011

CONTENTS

Auxiliary Codes.....	3
Note About Ordering Parts	3
Material Abbreviations	4
A. Ice Dispenser Assembly	5
DKM-500BAH.....	5
DKM-500BWH.....	8
B. Refrigeration Unit	11
DKM-500BAH.....	11
DKM-500BWH.....	17
C. Water Circuit.....	21
D. Control Box Assembly.....	24
DKM-500BAH.....	24
DKM-500BWH.....	26
E. Bin Assembly	28
F. Bin Cover Assembly	30
G. Front Panel Assembly	31
H. Label Location.....	32
J. Fan Motor Assembly.....	34
DKM-500BAH.....	34
K. Mechanism Assembly.....	35
L. Solenoid Assembly	37
M. Shutter Assembly	39
N. Gear Motor Assembly.....	40
P. Accessories and Packaging	41

Auxiliary Codes

DKM-500BAH	R-0	January 2006
	R-1	April 2006
	S-0	January 2007
	S-1	May 2007
	T-0	March 2008
	T-1	July 2008
	U-0	January 2009
	U-1	October 2009
	V-0	January 2010
	V-5	February 2010
	V-6	July 2010
	V-7	August 2010
	A-5	February 2011
A-6	March 2011	

DKM-500BWH	T-0	February 2008
	T-1	August 2008
	U-0	January 2009
	U-1	August 2009
	V-0	January 2010
	V-5	February 2010
	V-6	July 2010
	V-7	October 2010
	A-5	January 2011
	A-6	March 2011

Auxiliary Code Breakdown

The auxiliary code is the first two characters in the serial number. The first character indicates the year. Years progress or regress in alphabetical order. The series runs from "A" through "V" and the letters "I" and "O" are skipped. The second character indicates significant part changes within a year. Base is "0" and this number advances for each change. In cases where there is a letter in parentheses, this designates the month. This is the last character in the serial number. The series runs from "(A)" through "(M)" and the letter "(I)" is skipped. This designation is only included when identifying a parts change within an auxiliary code.

Note About Ordering Parts

Most assemblies cannot be ordered as complete units; parts in the assemblies generally must be ordered separately.

Material Abbreviations

ALUMINUM

AL = Aluminum

COPPER

CU = Copper

PLASTIC

ABS = Acrylonitrile -butadiene-styrene
AC = Polyacetal
EVA = Ethylene vinyl acetate
PA = Polyamide = Nylon
PC = Polycarbonate
PE = Polyethylene
PES = Polyester
PETP = Polyethylene terephthalate = Tetlon
PP = Polypropylene
PS = Polystyrene
PTFE = Polytetrafluoroethylene = Teflon
PUR = Polyurethane
PVC = Polyvinyl chloride

RUBBER

VN = Vinyl Nitrile
EPDM = EP rubber
NBR = Nitrile butadiene rubber
NR = Natural rubber
NP = Neoprene
SI.R = Silicone rubber
SY.R = Synthetic rubber
EPH = Epichlorohydrin

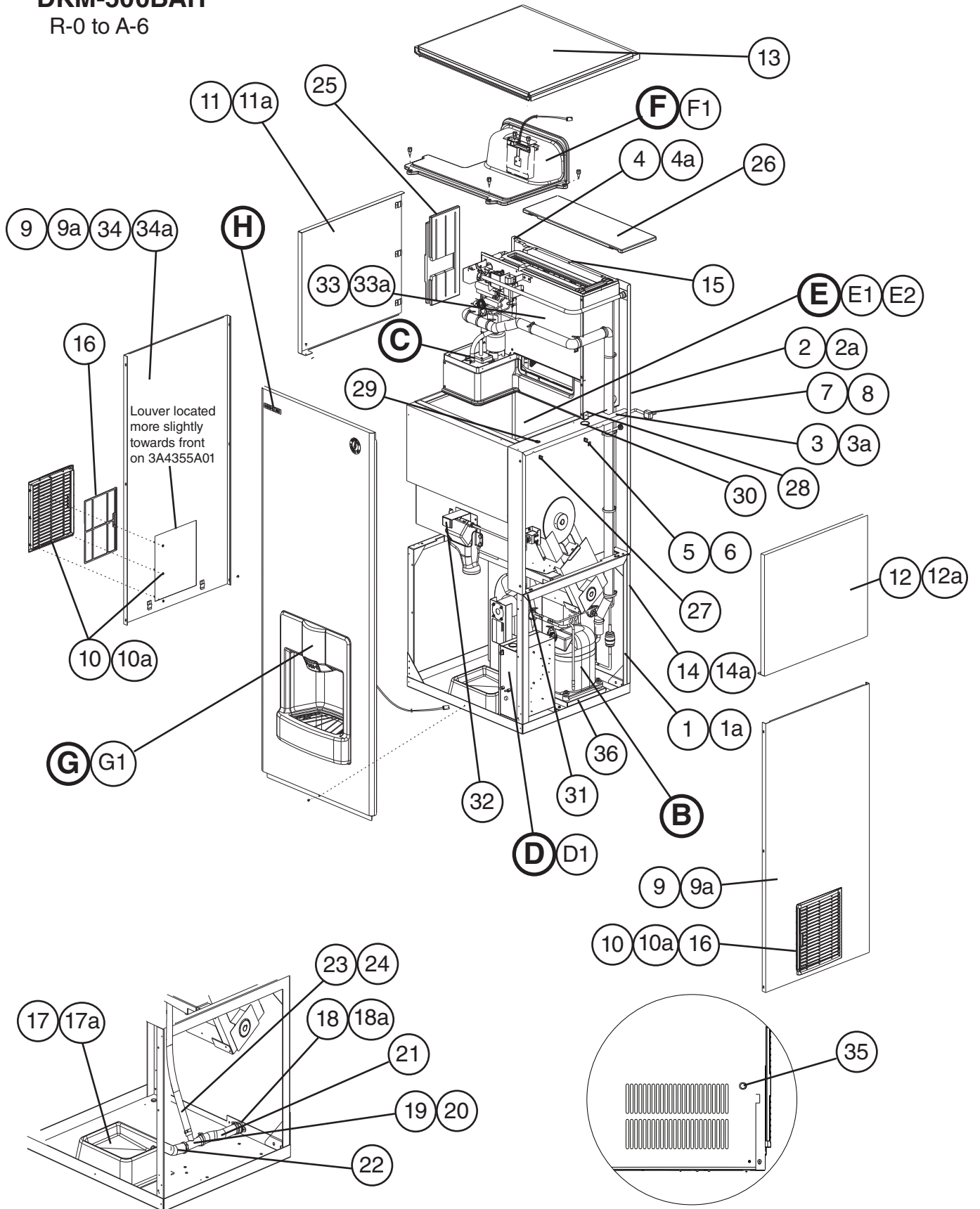
STEEL

GS = Galvanized steel
SS = Stainless steel
PS = Plated steel
PAS = Primed steel

A. Ice Dispenser Assembly

DKM-500BAH

R-0 to A-6



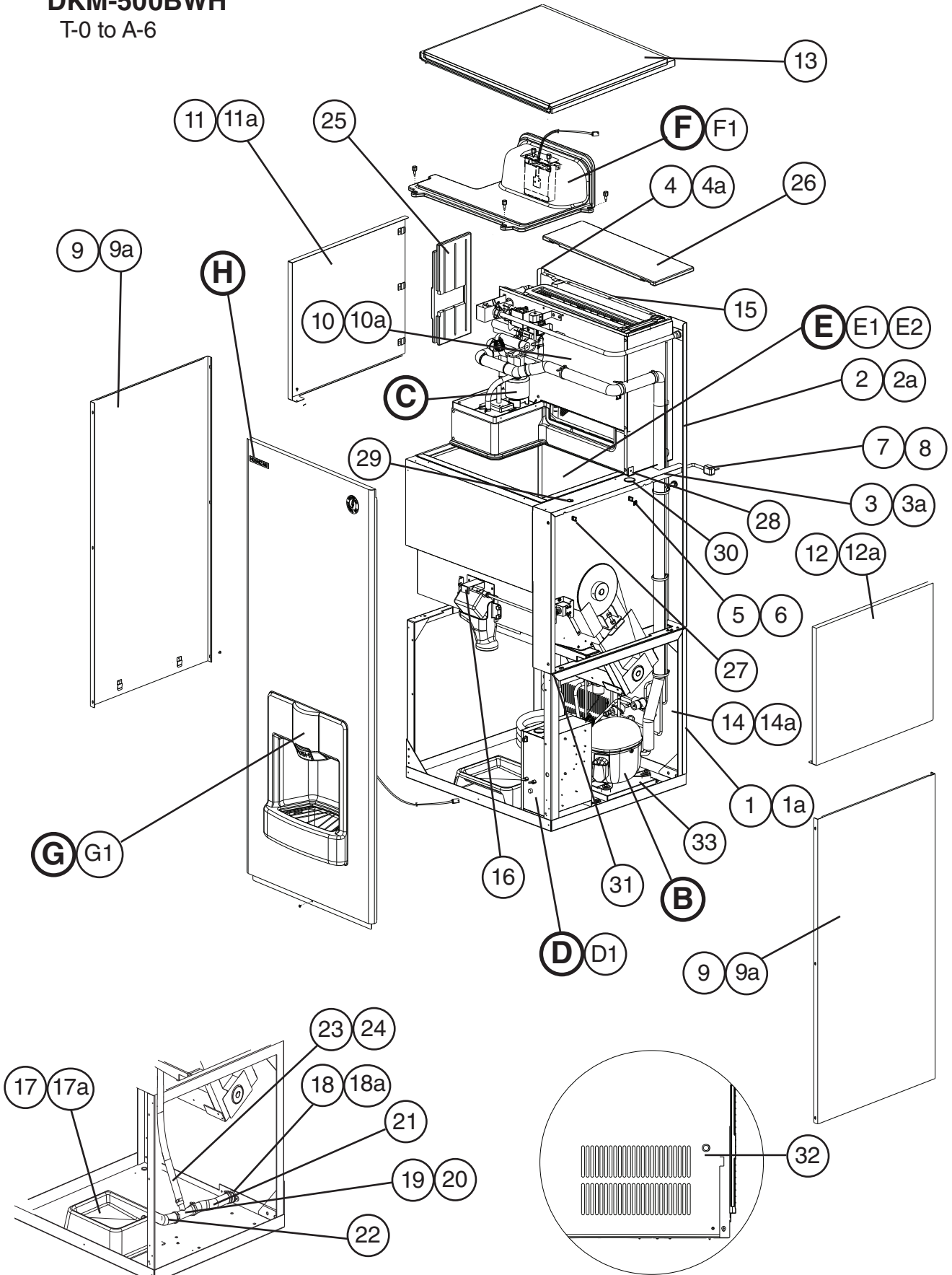
Title: **A. Ice Dispenser Assembly** Model: **DKM-500BAH**

Index No.	Description	Material or Model Number	Part Number	Required Number								
				R-0 R-1	S-0 S-1	T-0	T-1 U-0	U-1 to V-6	V-7 A-5	A-6		
B	Refrigeration Unit	-	1A1071A01	1	1	1	1	-				
			1A1071A02					1	-			
			1A2041A01						1	1		
C	Water Circuit	-	2A3808A01	1	1	1	1	-				
			2A5136A01					1	-			
			2A5136A03						1	1		
D	Control Box Assembly	-	2A3608A01	1	1	1	1	-				
			2A3608A02					1	-			
			2A6095A02						1	1		
D1	FT Screw	4x8, SS	7F32-0408	4	4	4	4	4	4	4		
E	Bin Assembly	-	2A3581A01	1	1	-						
			2A3581A02			1	1	1	1	-		
			2A3581A03								1	
E1	Hex Bolt w/Washer (LF)	8x20, SS	7B0230820	4	4	4	4	4	4	4		
E2	FT Screw	4x8, SS	7F32-0408	3	3	3	3	3	3	5		
F	Bin Cover Assembly	-	3A3877A01	1	1	1	1	1	1	1		
F1	Thumbscrew	ABS, SS	434168G02	3	3	3	3	3	3	3		
G	Front Panel Assembly	-	3A3582A01	1	1	1	1	1	1	1		
G1	FT Screw	4x8, SS	7F32-0408	1	1	1	1	1	1	1		
H	Label Location	-	2A3768A01	1	1	1	1	1	-			
			2A6099A03							1	1	
1	Frame	-	1A1177G01	1	1	1	1	-				
	Frame (includes item 36)		1A1177G02					1	1	1		
1a	FT Screw	4x8, SS	7F32-0408	3	3	3	3	3	3	3		
2	Rear Frame (A)	-	2A3527-01	1	1	1	1	1	1	1		
2a	FT Screw	4x8, SS	7F32-0408	7	7	7	7	7	7	7		
3	Side Frame (R)	-	1A1075-01	1	1	1	1	-				
			1A1878-01					1	1	1		
3a	FT Screw	4x8, SS	7F32-0408	5	5	5	5	5	5	5		
4	Side Frame (L)	-	3A3584-01	1	1	1	1	1	1	1		
4a	FT Screw	4x8, SS	7F32-0408	4	4	4	4	4	4	4		
5	Square Washer	Brass	433537-02	1	1	1	1	1	1	1		
6	Ground Screw	-	433304-02	1	1	1	1	1	1	1		
7	Bushing	SR-7K-2	420472-02	1	1	1	1	1	1	1		
8	Power Supply Cord	-	4A0520-01	1	1	1	1	1	1	1		
9	Side Panel (includes 1 of item 10 and 3 of item 10a)	-	3A3744A01	2	-							
					1	1	1	1	1	1		
9a	FT Screw	4x8, SS	7F32-0408	11	-							
					6	6	6	6	6	6		
10	Louver		1A0547-01	2	2	2	2	2	2	2		
10a	Push Retainer		4A2414-01	6	6	6	6	6	6	6		
11	Side Panel-(L1)	SS	2A3532G01	1	1	1	1	1	1	1		
11a	FT Screw	4x8, SS	7F32-0408	1	1	1	1	1	1	1		
12	Side Panel-(R1)	SS	2A3529G01	1	1	1	1	1	1	1		
12a	FT Screw	4x8, SS	7F32-0408	1	1	1	1	1	1	1		
13	Top Panel Assembly	-	3A3583G01	1	1	1	1	1	1	1		

Title: **A. Ice Dispenser Assembly** Model: **DKM-500BAH**

Index No.	Description	Material or Model Number	Part Number	Required Number								
				R-0 R-1	S-0 S-1	T-0	T-1 U-0	U-1 to V-6	V-7 A-5	A-6		
14	Rear Panel	-	3A3586-01	1	1	1	1	1	1	1		
14a	FT Screw	4x8, SS	7F32-0408	4	4	4	4	4	4	4		
15	Hook	-	4A3984-01	1	1	1	1	1	1	1		
16	Air Filter	-	2A2062G01	2	2	2	2	2	2	2		
17	Drain Pan Assembly	-	2A3522G01	1	1	1	1	1	1	1		
17a	FT Screw	4x8, SS	7F32-0408	4	4	4	4	4	4	4		
18	Fitting-Drain	-	438729-01	1	1	1	1	1	1	1		
18a	Truss Head Screw	5x8, SS	7C32-0508	2	2	2	2	2	2	2		
19	Tee	PVC	4A0525-05	1	1	1	1	1	1	1		
20	Hose Clamp	2346 HC 1250	4A2017-03	4	4	4	4	4	4	4		
21	Vinyl Hose-Clear	L=195	4A0658L01	1	1	1	1	1	1	1		
22	Vinyl Hose-Clear	L=170	4A0658L01	1	-							
		L=192			1	1	1	1	1	1		
23	Vinyl Hose	L=550	7716-2025	1	1	1	1	1	1	1		
24	Hose Clamp	2338 HC 953	4A2017-01	2	2	2	2	2	2	2		
25	Insulation Panel	-	2A0664G01	1	1	1	1	1	1	1		
26	Top Insulation	-	215730G01	1	1	1	1	1	1	1		
27	Wire Saddle	VWS4274-C	4A0338-03	5	5	5	5	5	5	5		
28	Evaporator Bracket	-	4A4068-01	1	1	1	1	-				
29	Bushing	OCB-875	428394-04	1	1	1	1	1	1	1		
30	Bushing	SB-1500-21	420470-06	1	1	1	1	1	1	1		
31	Rubber Gasket	L=50	4A0662L01	1	1	1	1	1	1	1		
32	Front Panel Support	-	4A4133G01	1	1	1	1	1	1	1		
33	Evaporator Case	-	2A3586G01	1	1	1	1	1	1	1		
33a	FT Screw	4x8, SS	7F32-0408	4	4	4	4	4	4	4		
34	Side Panel (L) (includes 1 of item 10 and 3 of item 10a)	-	3A4355A01		1	1	1	1	1	1		
34a	FT Screw	4x8, SS	7F32-0408		5	5	5	5	5	5		
35	Locking Hole Plug	-	4A0586-04				1	1	1	1		
36	Compressor Base Assembly	-	4A4835G01					1	1	1		

A. Ice Dispenser Assembly
DKM-500BWH
 T-0 to A-6



Title: **A. Ice Dispenser Assembly** Model: **DKM-500BWH**

Index No.	Description	Material or Model Number	Part Number	Required Number											
				T-0	T-1 U-0	U-1 to V-5	V-6 to A-5	A-6							
B	Refrigeration Unit	-	1A1480A01	1	1	-									
			1A1480A02			1	-								
			1A2086A01					1	1						
C	Water Circuit	-	2A3808A02	1	1	-									
			2A5136A02			1	1	1							
D	Control Box Assembly	-	2A4574A01	1	1	-									
			2A4574A02			1	-								
			2A6214A01					1	1						
D1	FT Screw	4x8, SS	7F32-0408	4	4	4	4	4							
E	Bin Assembly	-	2A3581A02	1	1	1	1	-							
			2A3581A03						1						
E1	Hex Bolt w/Washer (LF)	8x20, SS	7B0230820	4	4	4	4	4							
E2	FT Screw	4x8, SS	7F32-0408	3	3	3	3	5							
F	Bin Cover Assembly	-	3A3877A01	1	1	1	1	1							
F1	Thumbscrew	ABS, SS	434168G02	3	3	3	3	3							
G	Front Panel Assembly	-	3A3582A01	1	1	1	1	1							
G1	FT Screw	4x8, SS	7F32-0408	1	1	1	1	1							
H	Label Location	-	2A3768A02	1	1	1	-								
			2A6099A02					1	1						
1	Frame	-	1A1177G01	1	1	-									
	Frame (includes item 33)		1A1177G02			1	1	1							
1a	FT Screw	4x8, SS	7F32-0408	3	3	3	3	3							
2	Rear Frame (A)	-	2A3527-01	1	1	1	1	1							
2a	FT Screw	4x8, SS	7F32-0408	7	7	7	7	7							
3	Side Frame (R)	-	1A1075-01	1	1	-									
			1A1878-01			1	1	1							
3a	FT Screw	4x8, SS	7F32-0408	5	5	5	5	5							
4	Side Frame (L)	-	3A3584-01	1	1	1	1	1							
4a	FT Screw	4x8, SS	7F32-0408	4	4	4	4	4							
5	Square Washer	Brass	433537-02	1	1	1	1	1							
6	Ground Screw	-	433304-02	1	1	1	1	1							
7	Bushing	SR-7K-2	420472-02	1	1	1	1	1							
8	Power Supply Cord	-	4A0520-01	1	1	1	1	1							
9	Side Panel w/clip	-	4A4483G01	2	2	2	2	2							
9a	FT Screw	4x8, SS	7F32-0408	11	11	11	11	11							
10	Evaporator Case	-	2A3586G01	1	1	1	1	1							
10a	FT Screw	4x8, SS	7F32-0408	4	4	4	4	4							
11	Side Panel-(L1)	SS	2A3532G01	1	1	1	1	1							
11a	FT Screw	4x8, SS	7F32-0408	1	1	1	1	1							
12	Side Panel-(R1)	SS	2A3529G01	1	1	1	1	1							
12a	FT Screw	4x8, SS	7F32-0408	1	1	1	1	1							
13	Top Panel Assembly	-	3A3583G01	1	1	1	1	1							
14	Rear Panel	-	2A4484-01	1	1	1	1	1							
14a	FT Screw	4x8, SS	7F32-0408	4	4	4	4	4							
15	Hook	-	4A3984-01	1	1	1	1	1							

Title: **A. Ice Dispenser Assembly** Model: **DKM-500BWH**

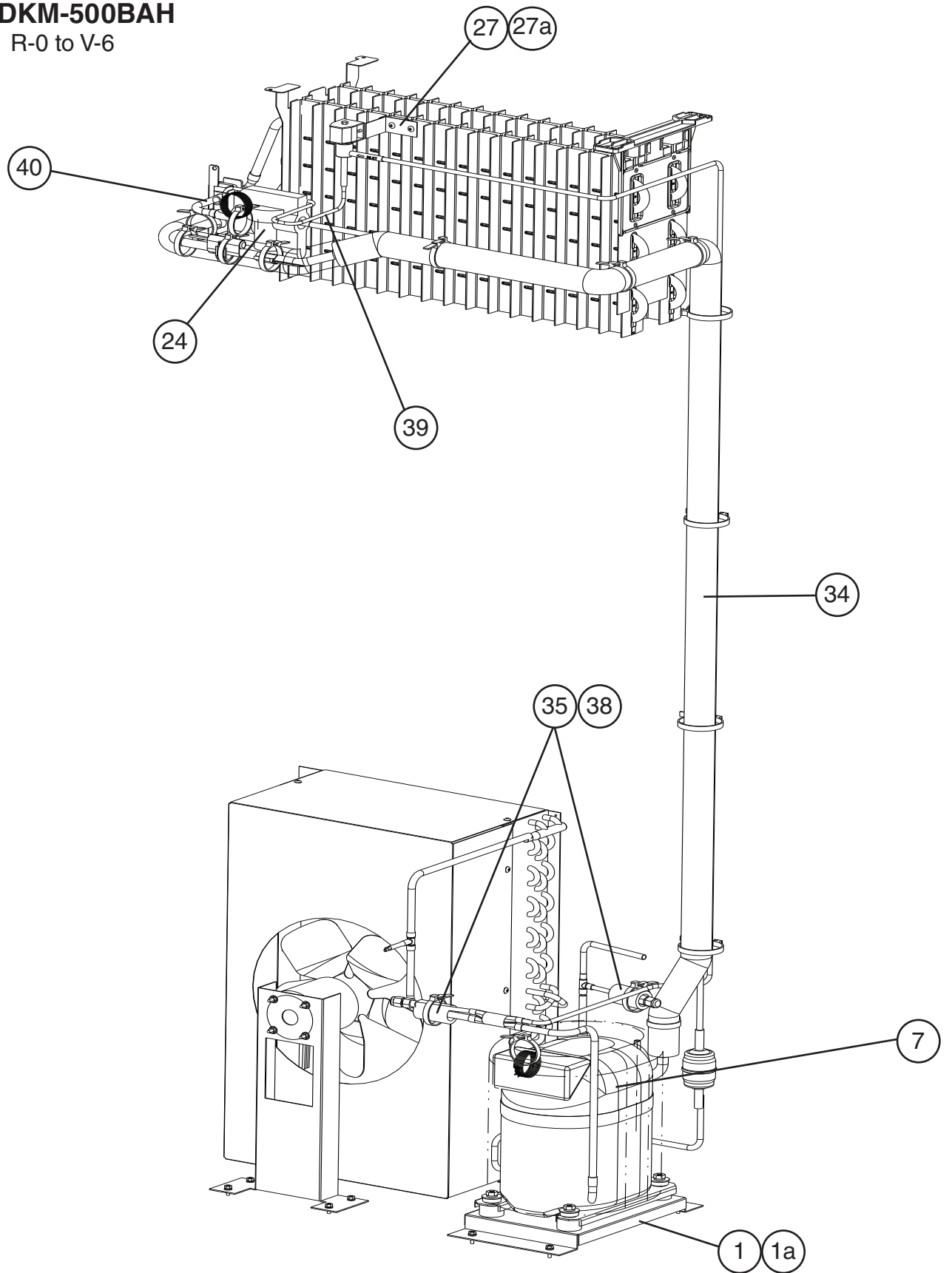
Index No.	Description	Material or Model Number	Part Number	Required Number											
				T-0	T-1 U-0	U-1 to V-5	V-6 to A-5	A-6							
16	Front Panel Support	-	4A4133G01	1	1	1	1	1							
17	Drain Pan Assembly	-	2A3522G01	1	1	1	1	1							
17a	FT Screw	4x8, SS	7F32-0408	4	4	4	4	4							
18	Drain Fitting	-	438729-01	1	1	1	1	1							
18a	Truss Head Screw	5x8, SS	7C32-0508	2	2	2	2	2							
19	Tee	PVC	4A0525-05	1	1	1	1	1							
20	Hose Clamp	2346 HC 1250	4A2017-03	4	4	4	4	4							
21	Vinyl Hose-Clear	L=195	4A0658L01	1	1	1	1	1							
22	Vinyl Hose-Clear	L=192	4A0658L01	1	1	1	1	1							
23	Vinyl Hose	L=550	7716-2025	1	1	1	1	1							
24	Hose Clamp	2338 HC 953	4A2017-01	2	2	2	2	2							
25	Front Insulation	-	2A0664G01	1	1	1	1	1							
26	Top Insulation	-	215730G01	1	1	1	1	1							
27	Wire Saddle	VWS4274-C	4A0338-03	5	5	5	5	5							
28	Evaporator Bracket	-	4A4068-01	1	1	-									
29	Bushing	OCB-875	428394-04	1	1	1	1	1							
30	Bushing	SB-1500-21	420470-06	1	1	1	1	1							
31	Rubber Gasket	L=50	4A0662L01	1	1	1	1	1							
32	Locking Hole Plug	-	4A0586-04		1	1	1	1							
33	Compressor Base Assembly	-	4A4835G01			1	1	1							

B. Refrigeration Unit

1/2

DKM-500BAH

R-0 to V-6

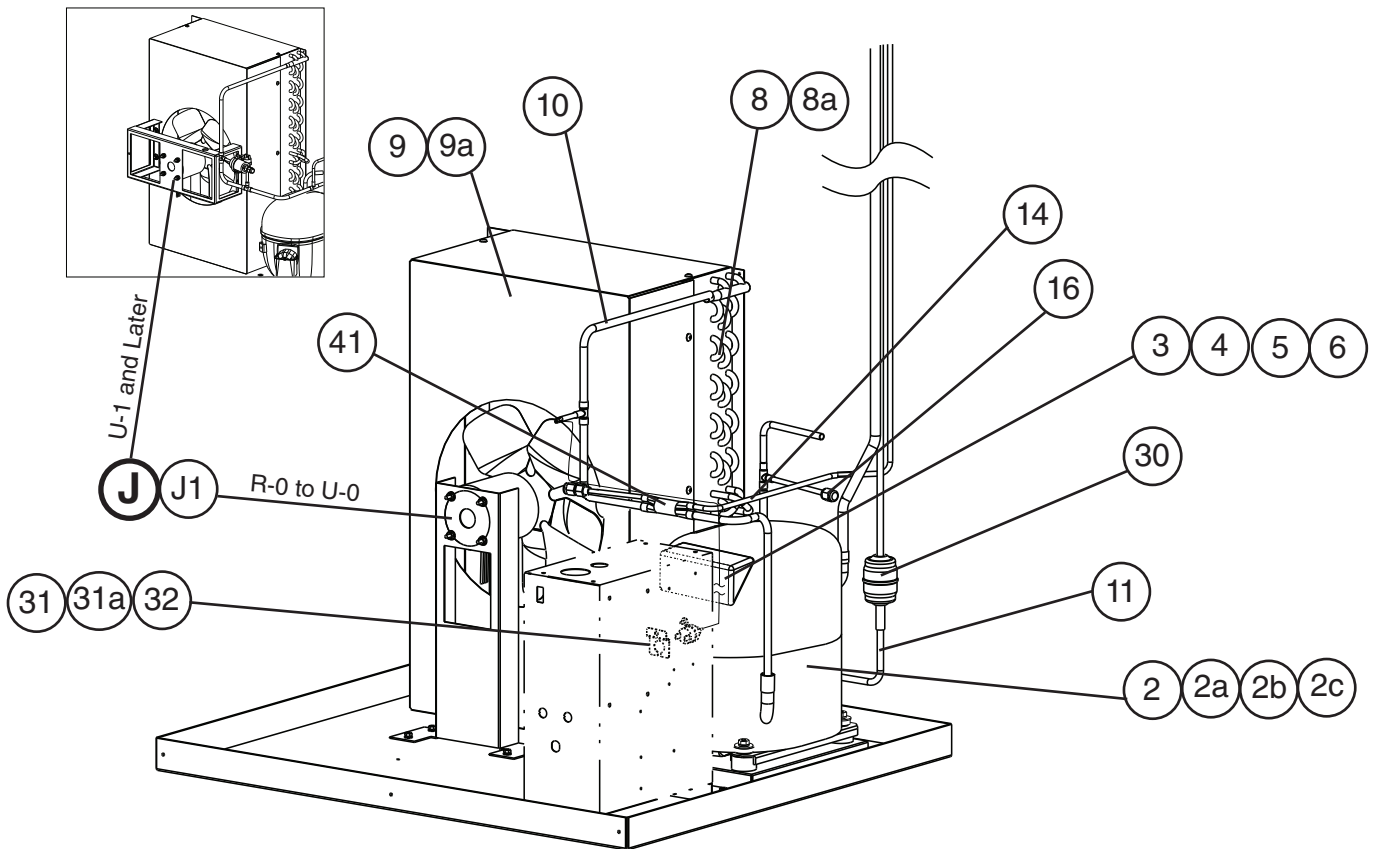
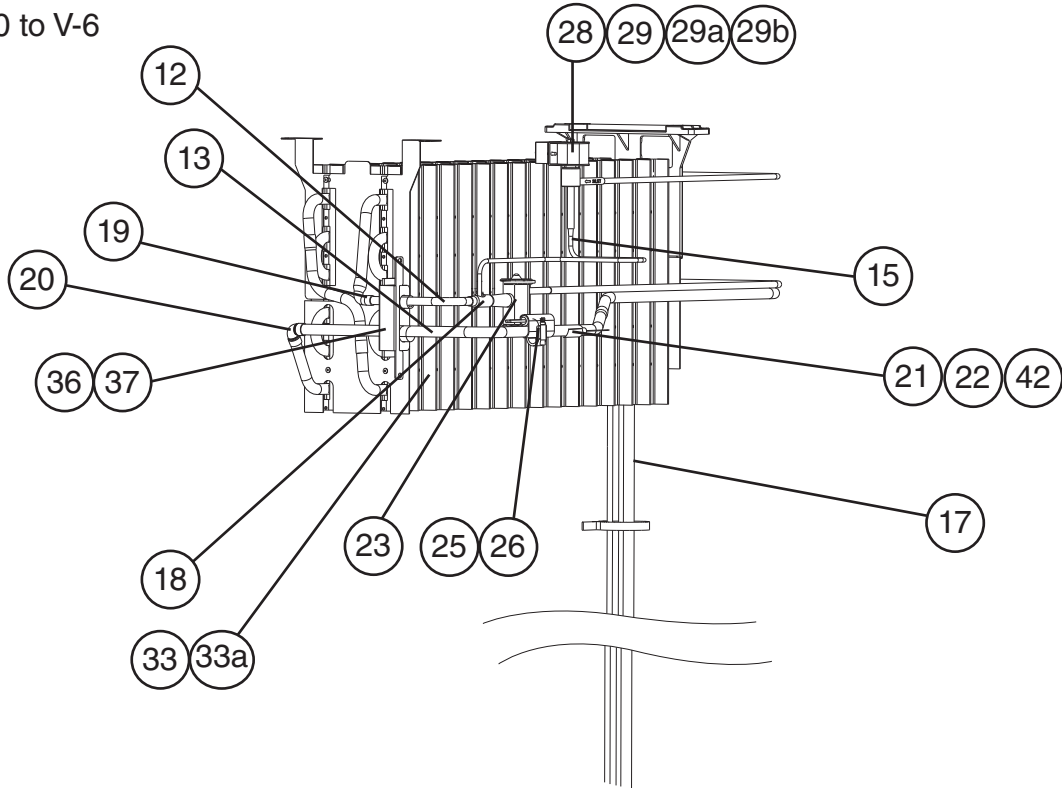


B. Refrigeration Unit

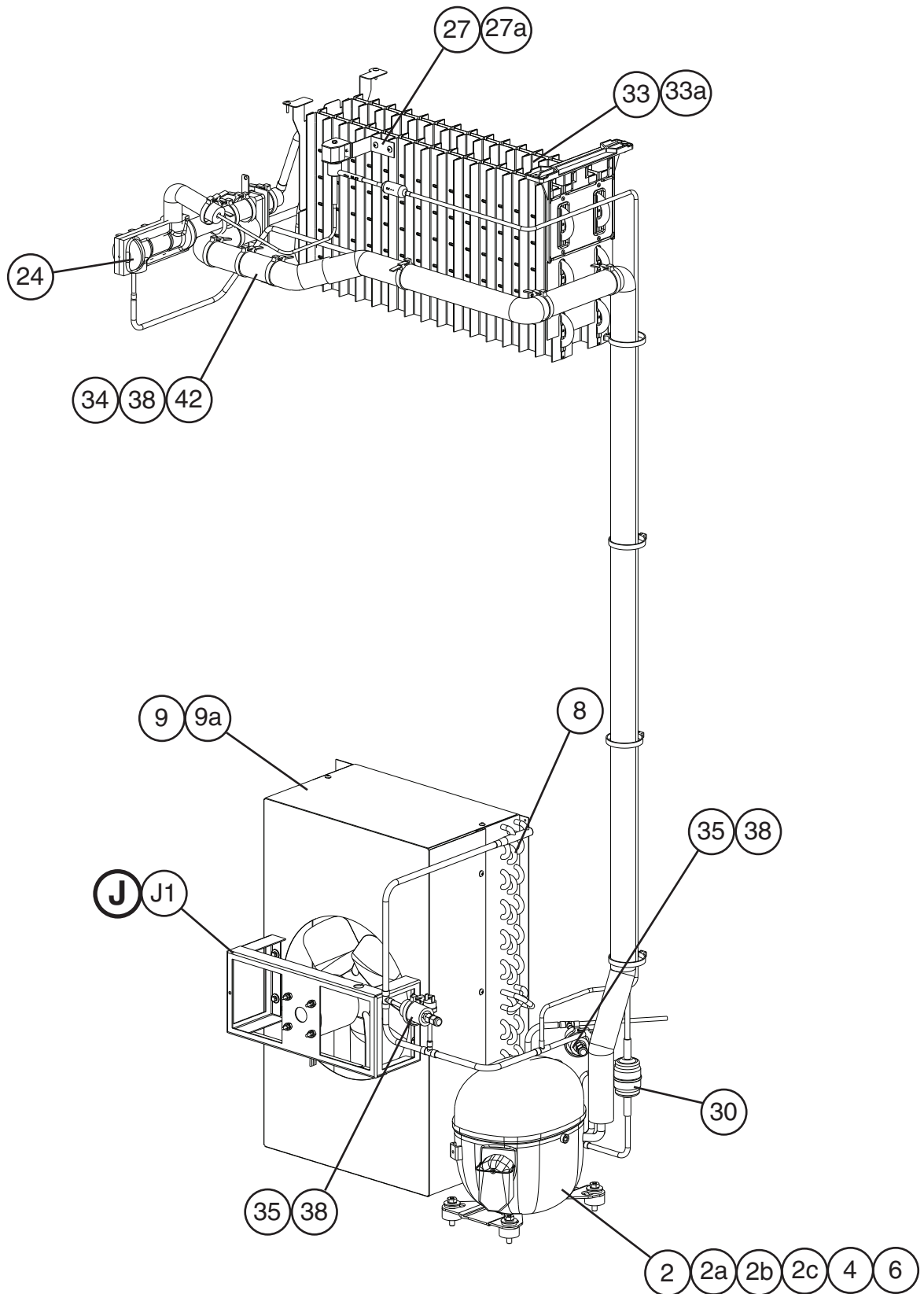
2/2

DKM-500BAH

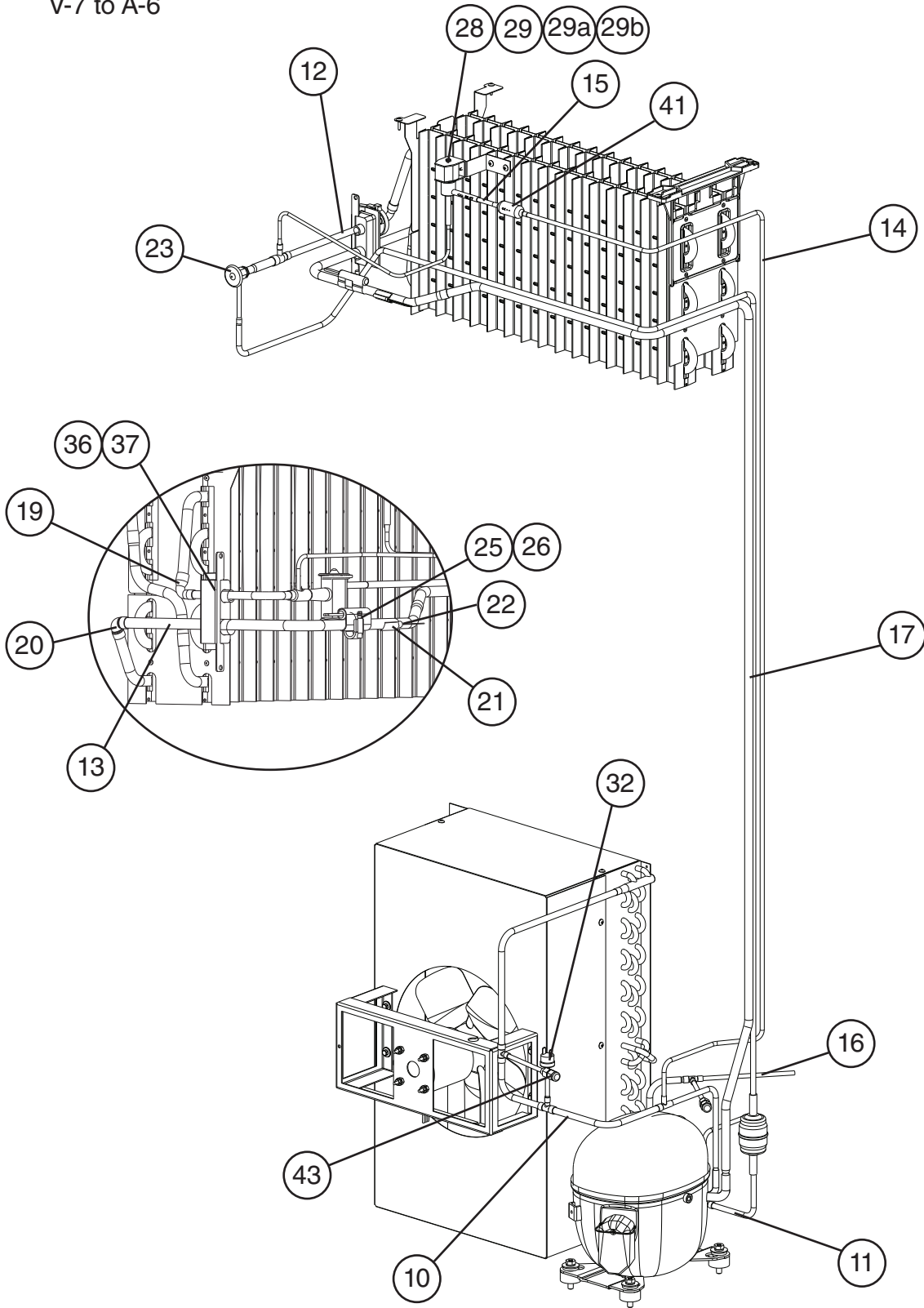
R-0 to V-6



B. Refrigeration Unit
1/2
DKM-500BAH
V-7 to A-6



B. Refrigeration Unit
2/2
DKM-500BAH
V-7 to A-6



Title: **B. Refrigeration Unit** Model: **DKM-500BAH**

Index No.	Description	Material or Model Number	Part Number	Required Number								
				R-0 to U-0	U-1 to V-6	V-7 to A-6						
J	Fan Motor Assembly	-	3A3836A01	1	-							
			3A5412A01		1	1						
J1	Hex Head Bolt w/Washer (LF)	6x12, SS	7B0230612	4	-							
		5x12, SS	7B0130512		4	4						
1	Compressor Base Assembly	GS	4A3823G01	1	-							
1a	Hex Head Bolt (SW)	8x16, SS	7B0230816	4	-							
2	Compressor	RS55C2E-CAA-219	4A1843-01	1	1	-						
		RST61C1E- CFA-202	4A5158-01			1						
2a	Grommet	027-0073-00	434403-01	4	4	-						
		-	4A2593-01			4						
2b	Spacer	027-0072-02	434404-01	4	4	-						
		-	4A2595-01			4						
2c	Bolt	8x45	437889-01	4	4	-						
		8x40	437889-02			4						
3	Protector Holder	032-0186-00	4A1843F04	1	1	-						
4	Terminal Cover	505-0312-01	4A1843F01	1	1	-						
		-	4A5158F01			1						
5	Protector	071-0518-02	4A1877-01	1	1	-						
6	Spring Clip	006-0123-02	4A1843F02	1	1	-						
		-	4A5158F02			1						
7	Compressor Insulation	-	4A3992-01	1	1	-						
8	Condenser	-	1A1099-01	1	1	1						
8a	T2 Screw	4x8, SS	7P32-0408	2	2	-						
9	Shroud	GS	2A3519-01	1	-							
			2A3519-02		1	1						
9a	T2 Screw	4x8, SS	7P32-0408	8	8	8						
10	Copper Tube (A)-High Side (includes item 41)	-	2A3525G01	1	1	-						
	Copper Tube (A)-High Side		2A6089G01			1						
11	Copper Tube (B)-High Side	-	3A3575G01	1	1	-						
			3A6066G01			1						
12	Copper Tube (A)-Low Side	-	3A3612-01	1	1	-						
			3A6086G01			1						
13	Copper Tube (B1)-Low Side	-	3A3613-01	1	1	1						
14	Copper Tube-HV	-	3A3573-01	1	1	-						
			3A6065-01			1						
15	Copper Tube-HV2	-	4A3850-01	1	1	-						
	Copper Tube-HV3		L=50	4A4490-01			1					
16	Copper Tube-Access Valve	-	4A3825G01	1	1	-						
	Copper Tube B-Access Valve		4A5159G02			1						
17	Heat Exchanger	-	2A3568G01	1	1	-						
			2A6091G01			1						
18	Tee	-	436000-08	1	1	-						
19	Elbow	-	4A1059-01	1	1	1						
20	Elbow	-	417395-03	1	1	1						

Title: **B. Refrigeration Unit** Model: **DKM-500BAH**

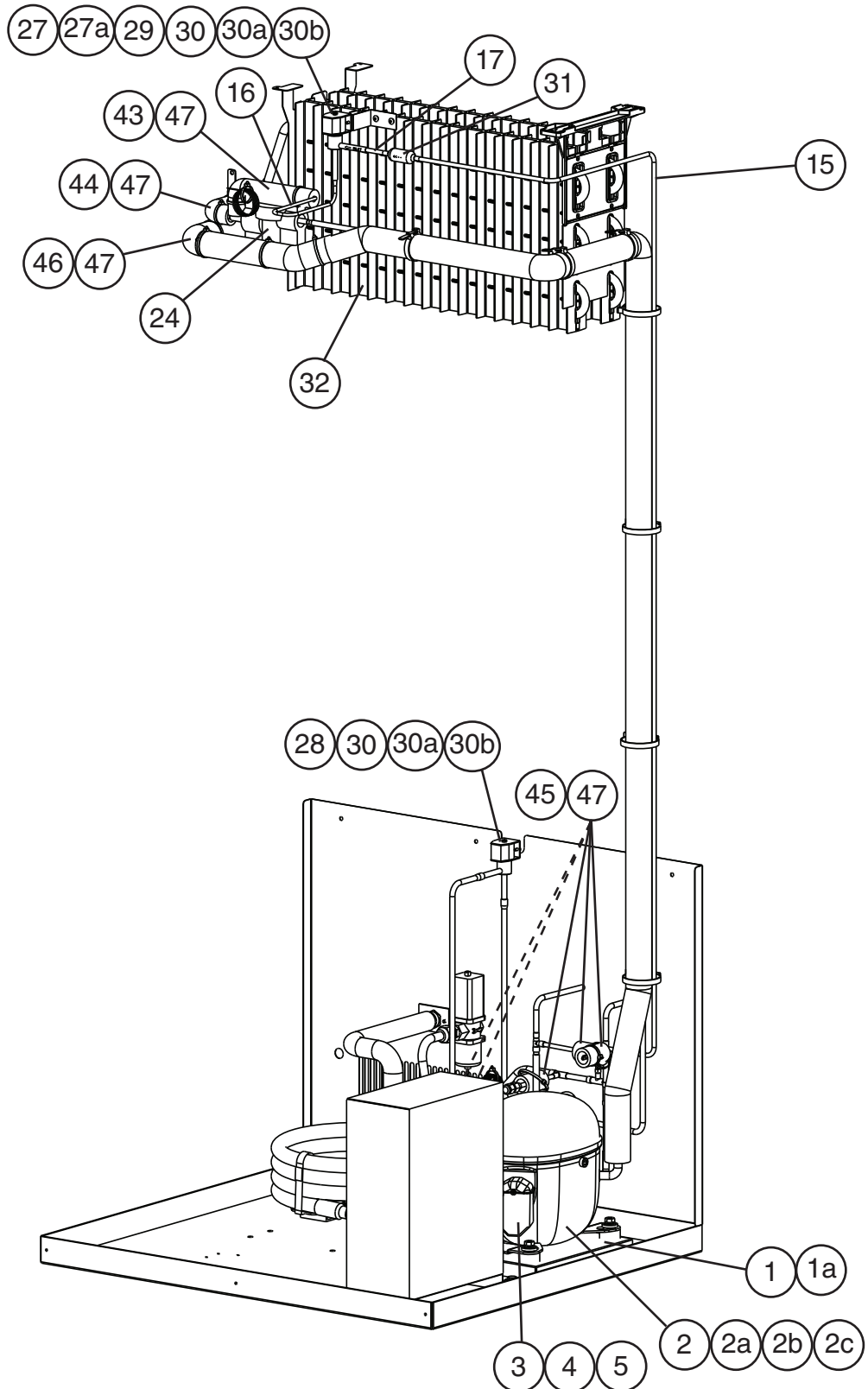
Index No.	Description	Material or Model Number	Part Number	Required Number										
				R-0 to U-0	U-1 to V-6	V-7 to A-6								
21	Thermistor Holder	COPPER	427430-01	1	1	1								
22	Thermistor	-	429006-06	1	1	1								
23	Expansion Valve	-	4A1870-01	1	1	-								
			4A4008-01			1								
24	Expansion Valve Cover	-	4A1168-01	1	1	-								
			3A0944-01			1								
25	Expansion Valve Bulb Holder	1/2"	3A0112-01	1	1	-								
		3/8"	3A0107-01			1								
26	Clamp	-	443461-01	1	1	-								
			443461-02			1								
27	Solenoid Bracket	GS	4A3852-01	1	1	1								
27a	FT Screw	4x8, SS	7F32-0408	3	3	4								
28	Hot Gas Valve Body	ATS-B7SHDU-2	4A3978-01	1	1	1								
29	Valve Coil	-	4A3277-01	1	1	1								
29a	Bolt	-	440353F01	1	1	1								
29b	FT Screw	4x8, SS	7F32-0408	2	2	-								
30	Drier	-	4A2666-01	1	1	1								
31	Pressure Switch Bracket	GS	434938-01	1	1	-								
31a	FT Screw	4x8	7P31-0408	1	1	-								
32	Pressure Switch	ACB-1UB09	433441-07	1	1	-								
		-	463180-04			1								
33	Evaporator Assembly	-	2A3562G01	1	1	1								
33a	T-2 Screw	4x16	4P32-0416	4	4	4								
34	Insulation Tube	L=1554	7762-2040	1	1	-								
		L=385				1								
35	Insulation Tube	L=50	7762-2030	2	2	2								
36	Insulated Rubber Tube	-	4A1008G01	1	1	1								
37	Insulation Holder	SS	4A3902-01	1	1	1								
38	Cable Tie	CV-150	8911-0150	14	14	14								
39	Insulation Tube	L=150mm	7762-0717	1	1	-								
40	Insulation Tube	L=170mm	7762-1030	1	1	-								
41	Strainer	-	4A0397-01	1	1	-								
			441569-01			1								
42	Thermistor Insulation	-	427441-01	1	1	1								
43	Access Valve	-	457729-01			1								

B. Refrigeration Unit

1/2

DKM-500BWH

T-0 to A-6

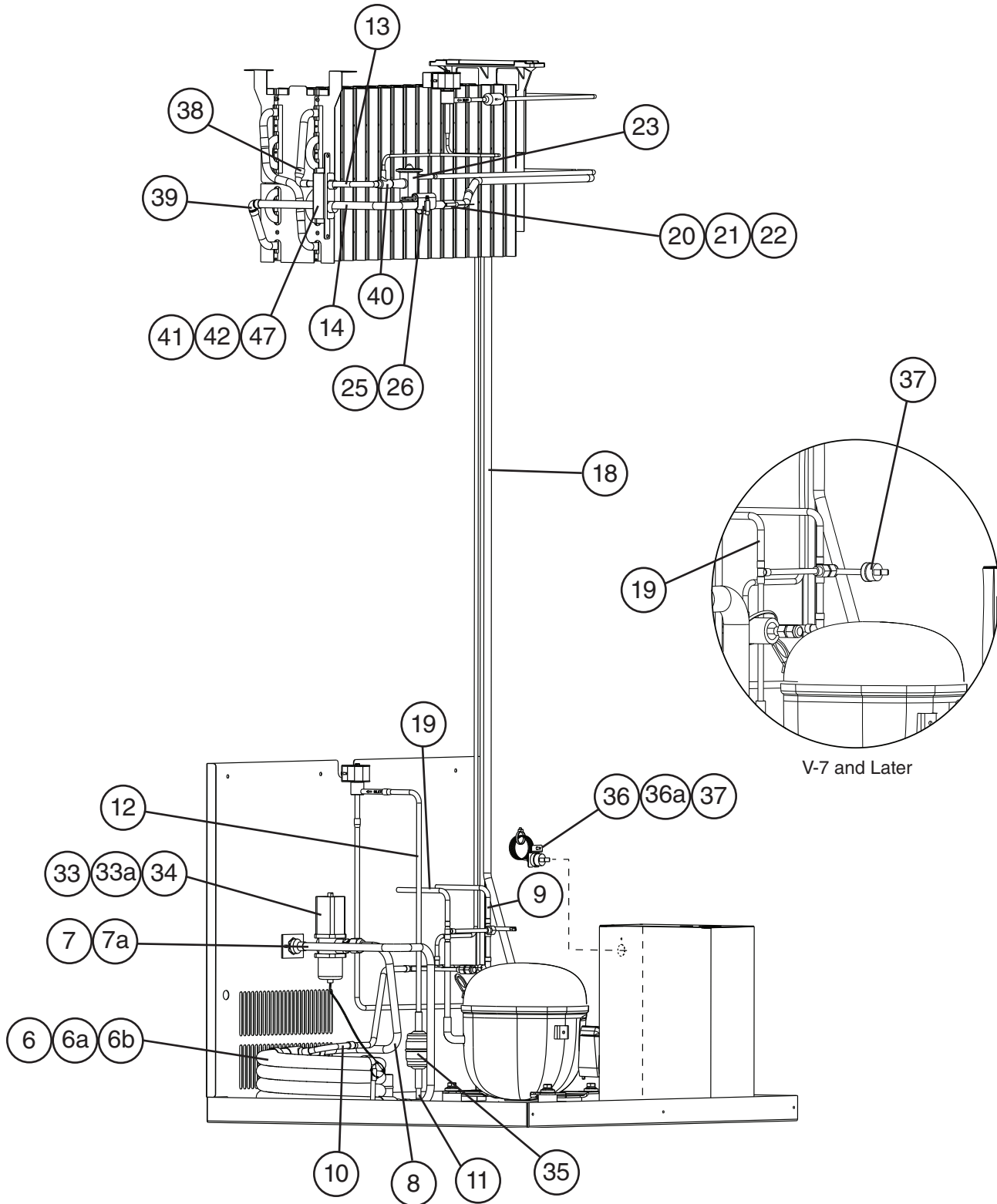


B. Refrigeration Unit

2/2

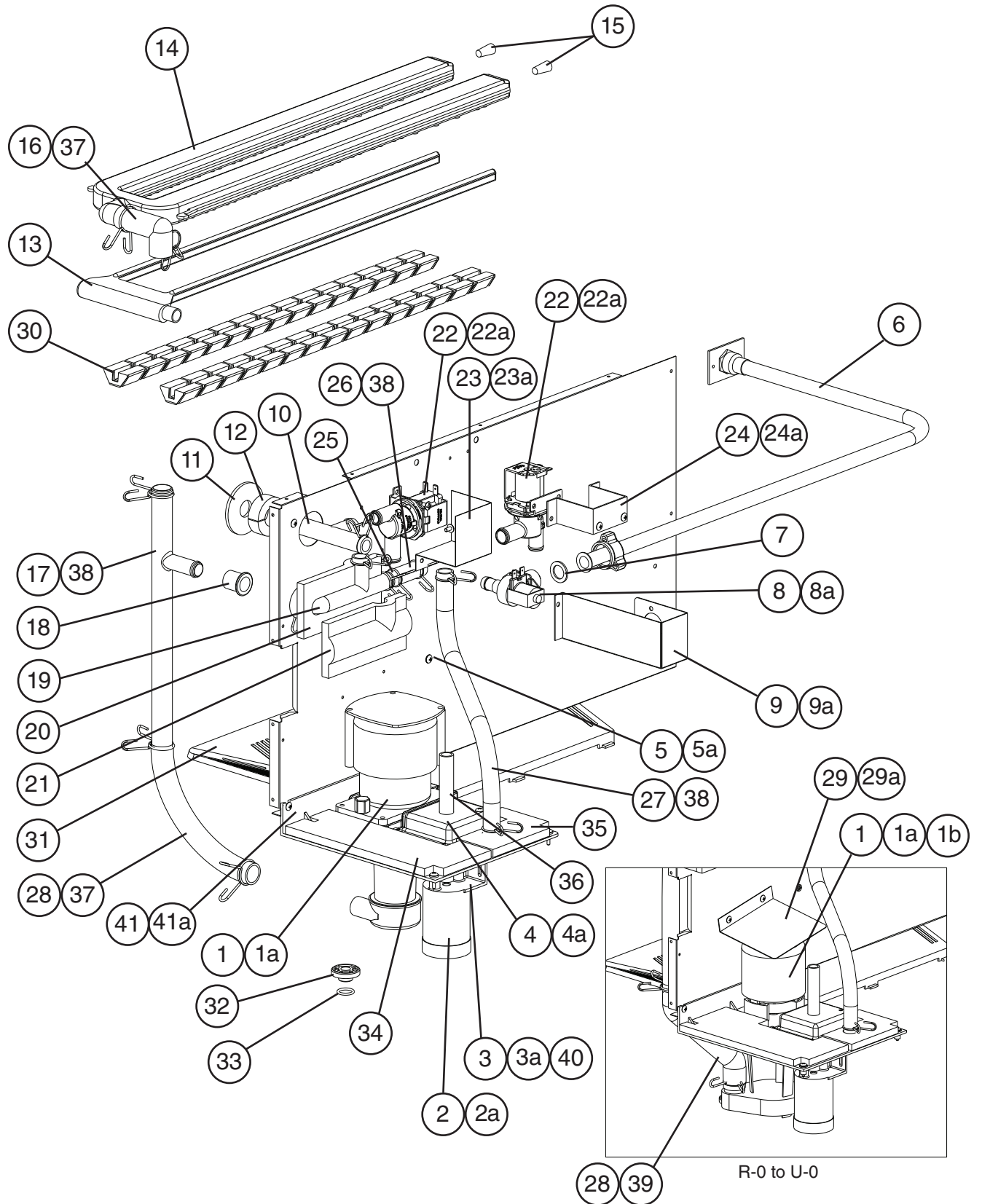
DKM-500BWH

T-0 to A-6



Title: B. Refrigeration Unit Model: DKM-500BWH											
Index No.	Description	Material or Model Number	Part Number	Required Number							
				T-0 to U-0	U-1 to V-6	V-7 to A-6					
35	Drier		4A2666-01	1	1	1					
36	Pressure Switch Bracket	GS	434938-01	1	1	-					
36a	FT Screw	4x8, SS	7F32-0408	1	1	-					
37	Pressure Switch	ACB-2UB04	433441-05	1	1	-					
		-	463180-05			1					
38	Elbow	-	4A1059-01	1	1	1					
39	Elbow	-	417395-03	1	1	1					
40	Tee	-	436000-08	1	1	1					
41	Insulated Rubber Tube	-	4A1008G01	1	1	1					
42	Insulation Holder	SS	4A3902-01	1	1	1					
43	Insulation Tube	L=180mm	7762-0717	1	1	-					
		L=150mm				1					
44	Insulation Tube	L=170mm	7762-1030	1	1	1					
45	Insulation Tube	L=50mm	7762-2030	5	5	5					
46	Insulation Tube	L=385mm	7762-2040	1	1	1					
47	Cable Tie	-	8911-0150	16	16	15					

C. Water Circuit
DKM-500BAH, DKM-500BWH
 R-0 to A-6



Title: **C. Water Circuit** Model: **DKM-500BAH, DKM-500BWH**

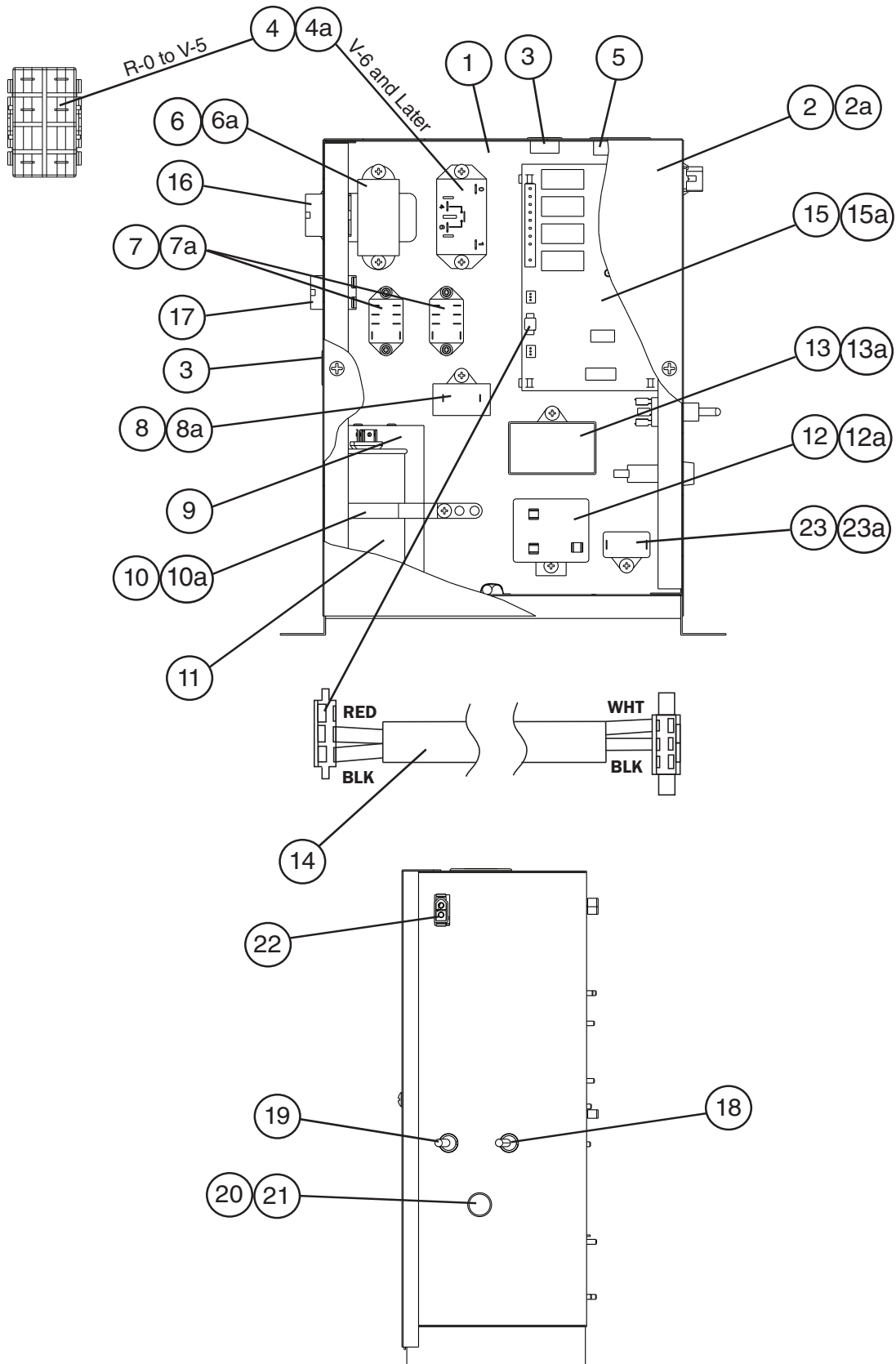
Index No.	Description	Material or Model Number	Part Number	Required Number									
				R-0 to S-0	S-1 to U-0	U-1 to V-6	V-7 to A-6						
1	Pump	-	2A2861-01	1	1	-							
			4A4259-01			1	1						
1a	T2 Screw	4x16, SS	7P32-0416	4	4	-							
	Thumbscrew	-	415949G11			1	1						
1b	Wellnut	-	4A1070-01	2	2	-							
2	Float Switch	-	4A0886-03	1	-								
			4A3624-03		1	1	1						
2a	T2 Screw	4x8, SS	7P32-0408	2	2	2	2						
3	Float Switch Bracket	ABS	327757-01	1	1	1	1						
3a	T2 Screw	DKM-500BAH 4x12, SS	7P32-0412	2	2	2	2						
		DKM-500BWH 4x16, SS	7P32-0416	2	2	2	2						
4	Float Switch Cover	-	3A0665-01	1	1	1	1						
4a	T2 Screw	4x12, SS	7P32-0412	3	3	3	3						
5	T2 Screw (pump ground)	4x8	7P31-0408	1	1	-							
	FT Screw (pump ground)	4x8	7F32-0408			1	1						
5a	Tooth Washer (pump ground)	M4, ZN	7R21-0400	1	1	1	1						
6	Water Supply Pipe	-	3A3589G01	1	1	1	1						
7	Rubber Gasket	-	413854-03	1	1	1	1						
8	Inlet Water Valve	DKM-500BAH	3U0150-01	1	1	1	-						
			4A5251-05				1						
			DKM-500BWH 3U0111-04		1	1	1						
8a	Truss Head Screw	4x8, SS	7C32-0408	2	2	2	2						
9	Water Valve Bracket	GS	4A3900-01	1	1	1	1						
9a	FT Screw	4x8, SS	7F32-0408	2	2	2	2						
10	Water Supply Tee	-	4A1006-01	1	1	1	1						
11	Flange	-	439267-01	1	1	1	1						
12	Insulation (E)	-	4A0392-01	1	1	1	1						
13	Water Supply Tube	-	2A0079-01	1	1	1	1						
14	Spray Tube	-	1A0260-02	1	1	1	1						
15	Plug	Santoprene	4A0176-01	2	2	2	2						
16	Elbow	-	4A0393-01	1	1	1	1						
17	Connecting Pipe	-	3A1335-01	1	1	1	1						
18	Rubber Ring	-	4A1004-01	1	1	1	1						
19	Bypass Hose	-	4A1005-01	1	1	1	1						
20	Insulation (A1) Bypass Hose	-	4A1259-01	1	1	1	1						
21	Insulation (A2) Bypass Hose	-	4A1260-01	1	1	1	1						
22	Solenoid Valve (wash and drain)	-	4A3722-01	2	2	2	2						
22a	Truss Head Screw	4x8, SS	7C32-0408	4	4	4	4						
23	Solenoid Cover	GS	4A0996-01	1	1	1	1						
23a	FT Screw	4x8, SS	7F32-0408	2	2	2	2						
24	WV Cover	GS	4A4219-01	1	1	1	1						
24a	FT Screw	4x8, SS	7F32-0408	2	2	2	2						
25	Joint Pipe	-	439329-01	1	1	1	1						

Title: C. Water Circuit Model: DKM-500BAH, DKM-500BWH											
Index No.	Description	Material or Model Number	Part Number	Required Number							
				R-0 to S-0	S-1 to U-0	U-1 to V-6	V-7 to A-6				
26	Vinyl Hose	L=55	7716-1519	1	1	1	1				
27	Vinyl Hose	L=315	7716-1519	1	1	1	1				
28	Pump Hose	-	4A1007-01	1	1	-					
	Vinyl Hose	L=230	7716-2025			1	1				
29	Barrier-Pump	GS	4A3923-01	1	1	-					
29a	FT Screw	4x8, SS	7F32-0408	2	2	-					
30	Spray Guide (A)	-	208586-01	6	6	6	6				
31	Cube Guide (A)	-	2A0660-01	1	1	1	1				
32	Drain Plug	-	309246-01	1	1	1	1				
33	"O" Ring	-	7611-P015	1	1	1	1				
34	Pump Bracket Insulation (A)	-	4A1052-01	1	1	-					
			4A4783-01			1	1				
35	Pump Bracket Insulation (B)	-	4A1053-01	1	1	1	1				
36	Vinyl Hose	L=150	7716-1216	1	1	1	1				
37	Hose Clamp	25 mm, SS	427443-03	3	3	4	4				
38	Hose Clamp	18 mm, SS	427443-05	10	10	10	10				
39	Hose Clamp	27 mm, SS	427443-08	1	1	-					
40	Float Switch Spacer	DKM-500BWH	4A0650-01		1	1	1				
41	Pump Bracket	-	2A4920G01			1	1				
41a	T2 Screw	4x16, SS	7P32-0416			4	4				

D. Control Box Assembly

DKM-500BAH

R-0 to A-6

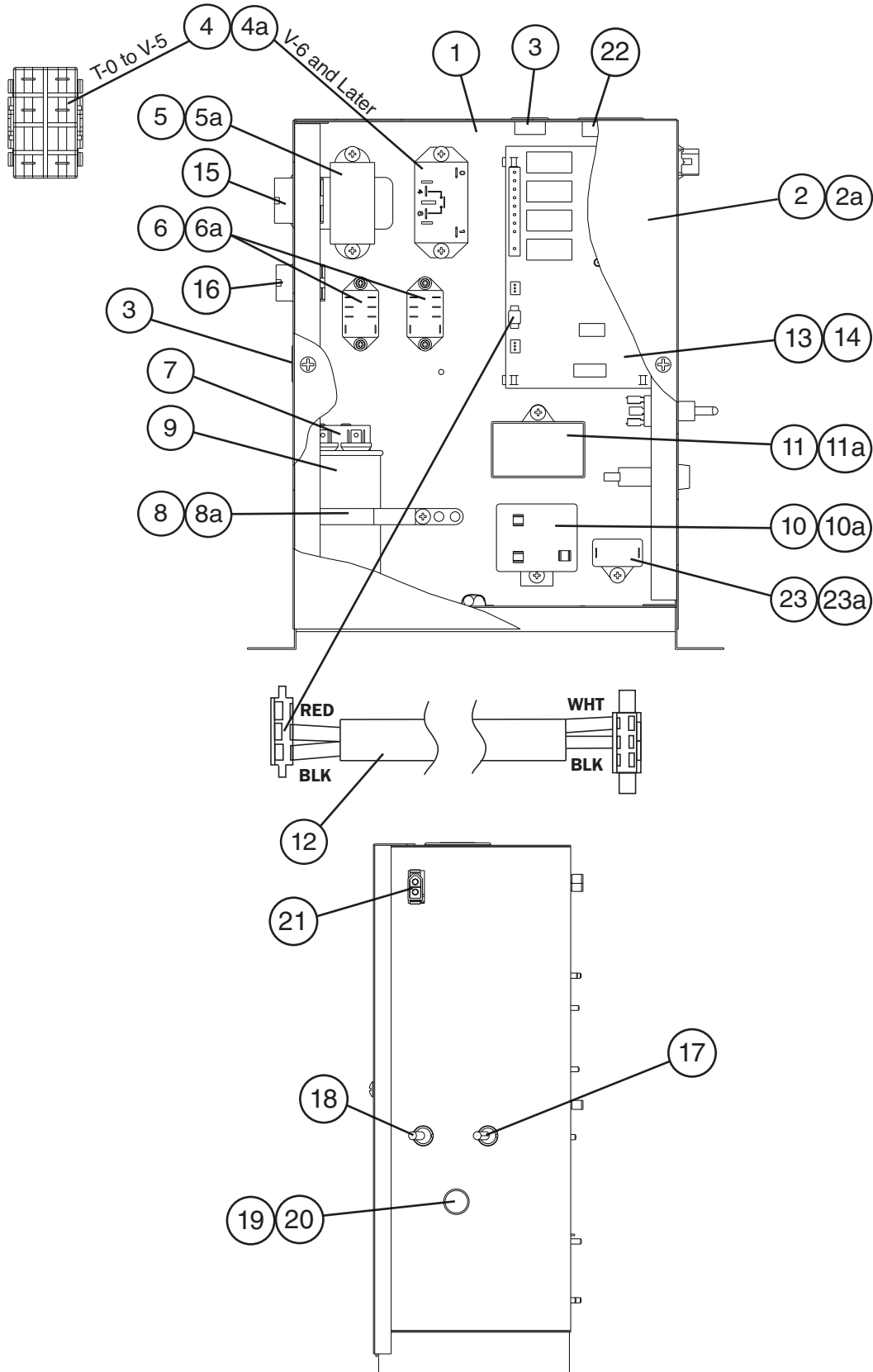


Title: D. Control Box Assembly Model: DKM-500BAH												
Index No.	Description	Material or Model Number	Part Number	Required Number								
				R-0 to S-1	T-0 to U-0	U-1 to V-5	V-6	V-7 to A-6				
1	Control Box	GS	3A3817G01	1	1	1	-					
			3A6081G02				1	1				
2	Control Box Cover	GS	3A3660-01	1	1	1	1	1				
2a	Truss Head Screw	4x8	7C31-0408	2	2	2	2	2				
3	Bushing	OCB-875	428394-04	2	2	2	2	2				
4	Magnetic Contactor	VC20	428393-01	1	1	1	-					
	Compressor Relay	-	4A3140-01				1	1				
4a	T2 Screw	4x8	7P31-0408	2	2	2	2	2				
5	Bushing	SB-1500-21	420470-06	1	1	1	1	1				
6	Control Transformer	26D285H	3A0172-01	1	1	1	1	1				
6a	T2 Screw	4x8	7P31-0408	2	2	2	2	2				
7	Relay (control and ice dispense)	LY2F, AC120V	406132-07	2	2	2	2	2				
7a	Tapping Screw	3x8	431415-01	4	4	4	4	4				
8	Fan Motor Capacitor	5MFD, 250VAC	443192-02	1	1	1	1	1				
8a	T2 Screw	4x8	7P31-0408	1	1	1	1	1				
9	Start Capacitor	189-227MFD, 330VAC	3A0076-12	1	1	1	1	-				
		243-292MFD, 250VAC	3A0076-21					1				
10	Strap	GS	4A2262-03	1	1	1	1	1				
10a	T2 Screw	4x8	7P31-0408	1	1	1	1	1				
11	Run Capacitor	25MFD, 370VAC	3A2005-06	1	1	1	1	-				
		40MFD, 440VAC	3A2005-07					1				
12	Start Relay (starter)	3ARR3CT24S5	4A1107-13	1	1	1	1	-				
		3ARR3KC3P5	4A1107-20					1				
12a	T2 Screw	4x8	7P31-0408	1	1	1	1	1				
13	Gear Motor Capacitor	24MFD, 250VAC	4A2273-01	1	-							
		20MFD, 250VAC	4A4319-02		1	1	1	1				
13a	T2 Screw	4x8	7P31-0408	1	1	1	1	1				
14	Bin Control Wire Harness	L=1800	4A2200G03	1	1	-						
		L=1220	4A2200G01			1	1	1				
15	Control Board	-	2A1410-01	1	1	1	1	1				
15a	Board Support	CBLS37-M	4A0336-03	4	4	4	4	4				
16	3P Plug Housing	3191-3P	412832-06	1	-							
	4P Plug Housing	3191-4P Red	412832-11		1	1	1	-				
	4P Plug Housing	3191-4P	412832-05					1				
17	4P Plug Housing	3191-4P	412832-05	1	1	1	1	-				
	6P Plug Housing	3191-6P	412832-03					1				
18	Service Toggle Switch	8966K211	4A0985-01	1	1	1	1	1				
19	Control Toggle Switch	8966K84	443119-01	1	1	1	1	1				
20	Fuse	AGC-10, 250V, 10A	4A0893-07	3	3	3	3	3				
21	Fuse Holder	HTB82I	4A3449-01	1	1	1	1	1				
22	Plug Housing	03-09-2021	4A4002-01	1	1	1	1	1				
23	Pump Motor Capacitor	2.5MFD, 250VAC	4A2128-05			1	1	1				
23a	T2 Screw	4x8	7P31-0408			1	1	1				

D. Control Box Assembly

DKM-500BWH

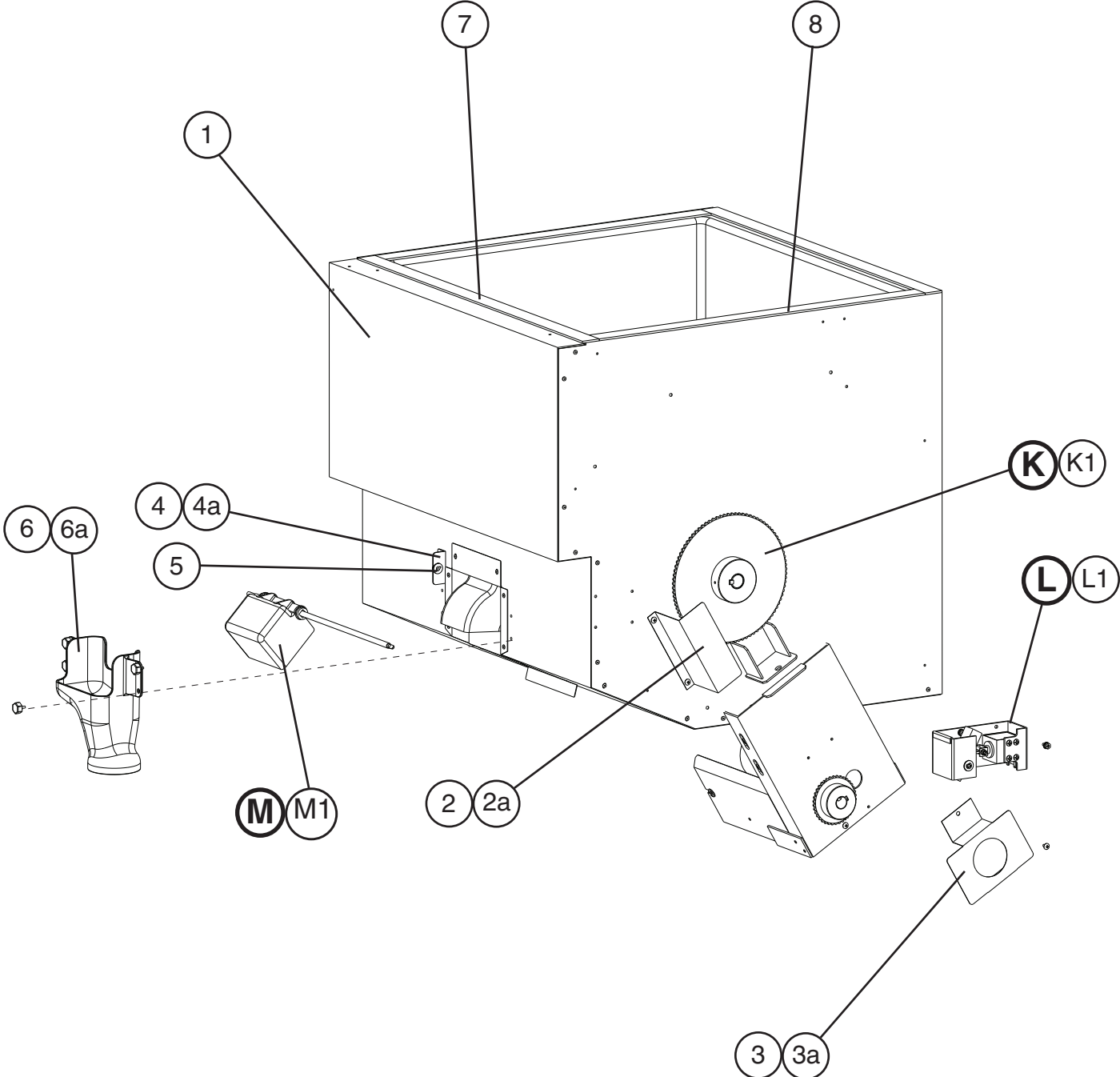
T-0 to A-6



Title: **D. Control Box Assembly** Model: **DKM-500BWH**

Index No.	Description	Material or Model Number	Part Number	Required Number								
				T-0 to U-0	U-1 to V-5	V-6 V-7	A-5 A-6					
1	Control Box	GS	3A3817G01	1	1	-						
			3A6226G01			1	-					
			3A6081G02				1					
2	Control Box Cover	GS	3A3660-01	1	1	1	1					
2a	Truss Head Screw	4x8	7C31-0408	2	2	2	2					
3	Bushing	OCB-875	428394-04	2	2	2	2					
4	Magnetic Contactor	-	428393-01	1	1	-						
	Compressor Relay	-	4A3140-01			1	1					
4a	T2 Screw	4x8	7P31-0408	2	2	2	2					
5	Control Transformer	-	3A0172-01	1	1	1	1					
5a	T2 Screw	4x8	7P31-0408	2	2	2	2					
6	Relay (control and ice dispense)	-	406132-07	2	2	2	2					
6a	Tapping Screw	3x8	431415-01	4	4	4	4					
7	Start Capacitor	243-292MFD, 165V	3A0076-20	1	1	1	1					
8	Strap	GS	4A2262-03	1	1	1	1					
8a	T2 Screw	4x8	7P31-0408	1	1	1	1					
9	Run Capacitor	35MFD, 440VAC	3A2005-12	1	1	1	1					
10	Start Relay (starter)	-	4A1107-11	1	1	1	1					
10a	T2 Screw	4x8	7P31-0408	1	1	1	1					
11	Gear Motor Capacitor	20MFD, 250VAC	4A4319-02	1	1	1	1					
11a	T2 Screw	4x8	7P31-0408	1	1	1	1					
12	Bin Control Wire Harness	L=1800mm	4A2200G03	1	-							
		L=1220	4A2200G01		1	1	1					
13	Control Board	-	2A1410-01	1	1	1	1					
14	Board Support	CBLS37-M	4A0336-03	4	4	4	4					
15	Plug Housing 4P	3191-04P RED	412832-11	1	1	1	1					
16	Plug Housing 4P	3191-04-P	412832-05	1	1	1	-					
	Plug Housing 6P	-	412832-03				1					
17	Service Toggle Switch	-	4A0985-01	1	1	1	1					
18	Control Toggle Switch	-	443119-01	1	1	1	1					
19	Fuse	AGC-10, 250VAC, 10A	4A0893-07	3	3	3	3					
20	Fuse Holder	-	4A3449-01	1	1	1	1					
21	Plug Housing	-	4A4002-01	1	1	1	1					
22	Bushing	SB-1500-21	420470-06	1	1	1	1					
23	Pump Motor Capacitor	2.5MFD, 250VAC	4A2128-05		1	1	1					
23a	T2 Screw	4x8	7P31-0408		1	1	1					

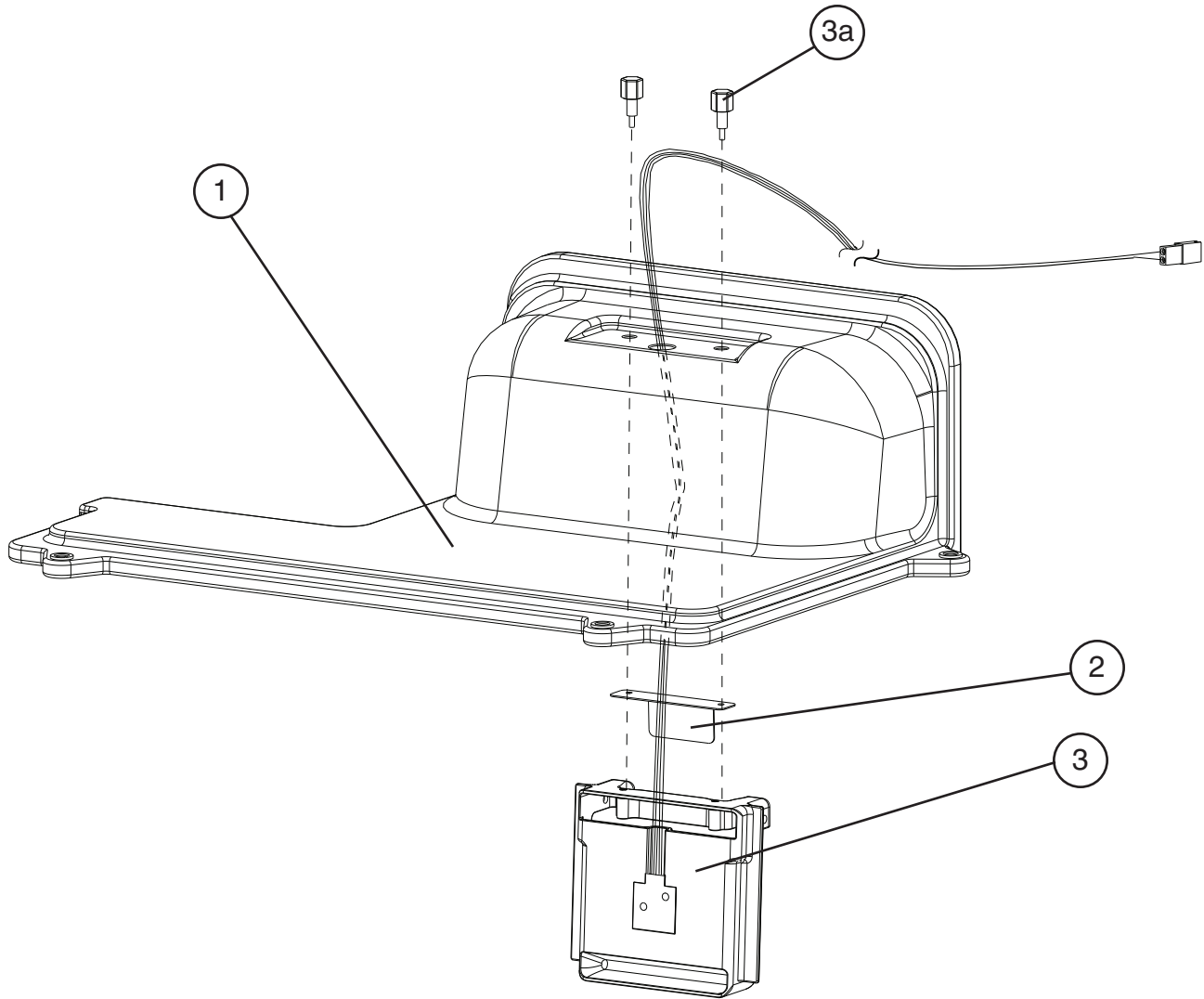
E. Bin Assembly
DKM-500BAH, DKM-500BWH
R-0 to A-6



Title: **E. Bin Assembly** Model: **DKM-500BAH, DKM-500BWH**

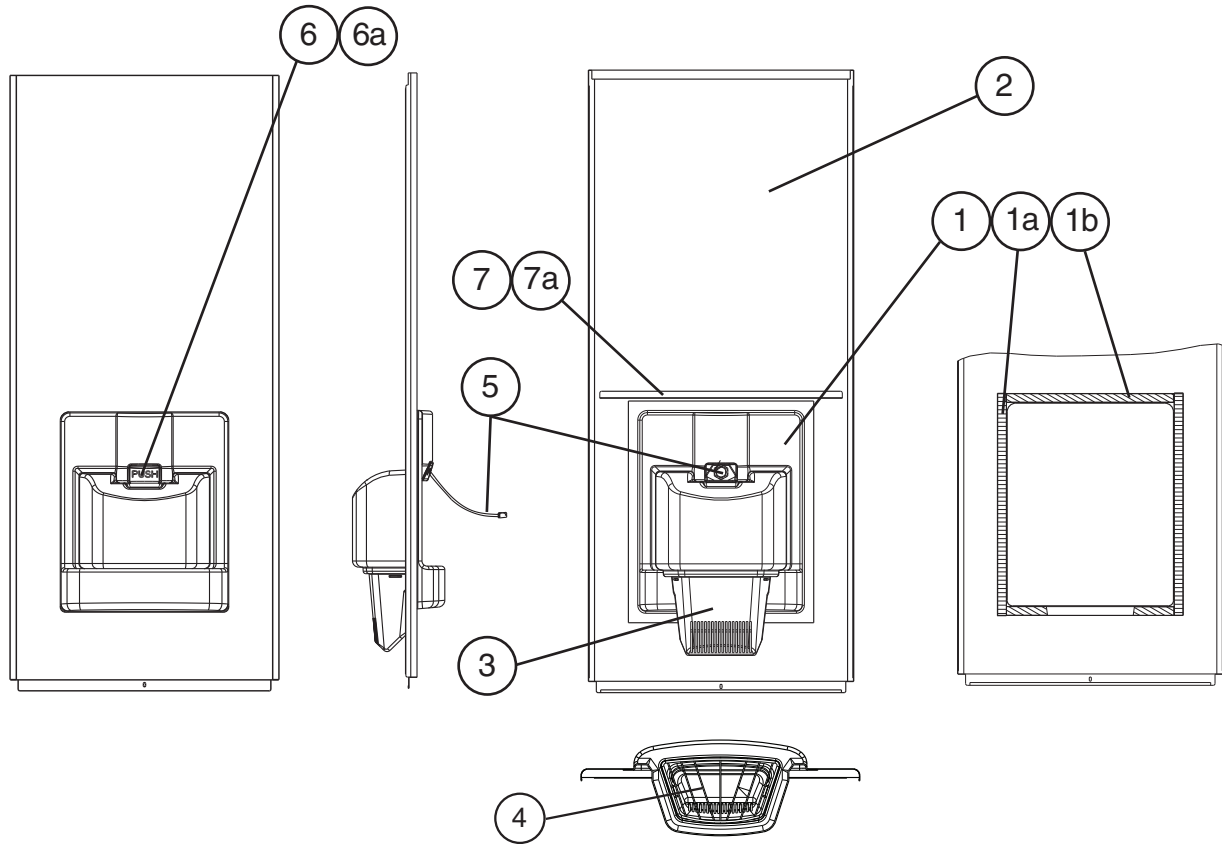
Index No.	Description	Material or Model Number	Part Number	Required Number											
				R-0 to S-1	T-0 to A-5	A-6									
K	Mechanism Assembly	-	1A0109A02	1	-										
			1A0109A04		1	-									
			1A1964A01			1									
K1	See E1 in A. Ice Dispenser Assembly for bolts securing the mechanism assembly to the bin assembly.														
L	Solenoid Assembly	-	2A0585A01	1	1	1									
L1	Hex Head Bolt w/Washer (LF)	4x10, SS	7B0230410	4	4	4									
M	Shutter Assembly	-	328650A01	1	1	1									
M1	Snap Pin	SSP-6, SS	715S-0006	1	1	1									
1	Bin Body	-	106184G02	1	1	1									
2	Chain Cover (A)	GS	438282-01	1	1	1									
2a	T2 Screw	4x8, SS	7P32-0408	2	2	2									
3	Chain Cover (B)	GS	438283-01	1	1	1									
3a	FT Screw	4x8, SS	7F32-0408	1	1	1									
4	Shutter Collar Bracket	GS	439399-01	1	1	1									
4a	T2 Screw	4x8, SS	7P32-0408	2	2	2									
5	Shutter Collar	-	435533-01	1	1	1									
6	Spout	-	2A3528-01	1	1	1									
6a	Thumbscrew	ABS, SS	415949G08	4	4	4									
7	Gasket	L=650	4A0808L01	2	2	2									
8	Gasket	L=580	4A0808L01	2	2	2									

F. Bin Cover Assembly
DKM-500BAH, DKM-500BWH
 R-0 to A-6



Title: F. Bin Cover Assembly Model: DKM-500BAH, DKM-500BWH												
Index No.	Description	Material or Model Number	Part Number	Required Number								
				R-0 to U-0	U-1 to A-6							
1	Bin Cap	-	1A1142-01	1	1							
2	Switch Bracket	SS	4A3976-01	1	1							
3	Bin Control Switch	-	464574-01	1	-							
			2A4393G01		1							
3a	Thumbscrew	ABS, SS	434168G02	2	2							

G. Front Panel Assembly
DKM-500BAH, DKM-500BWH
R-0 to A-6

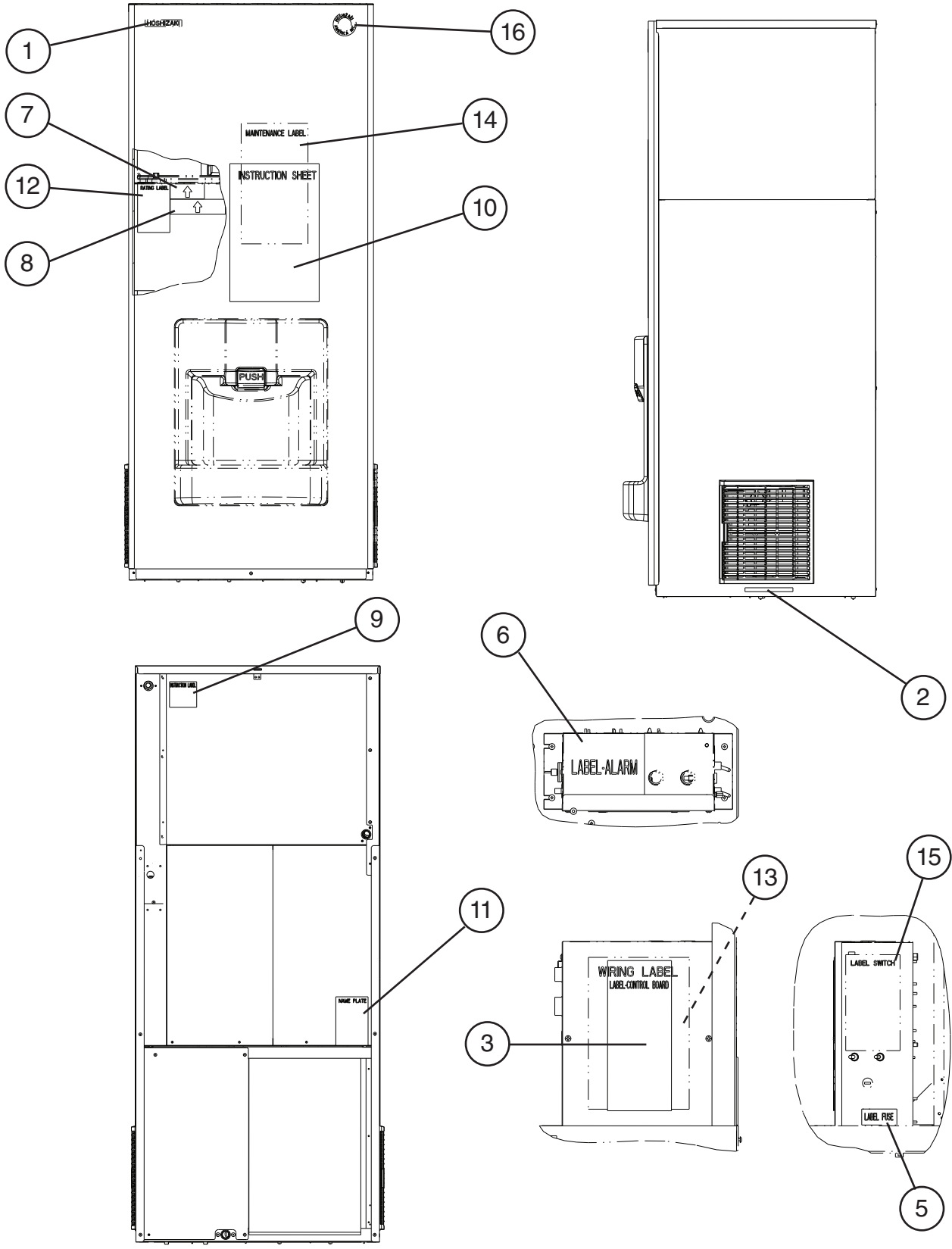


Title: G. Front Panel Assembly Model: DKM-500BAH, DKM-500BWH															
Index No.	Description	Material or Model Number	Part Number	Required Number											
				R-0 to A-6											
1	Front Panel (A)	-	1A1077-01	1											
1a	Foam Tape	L=640	4A2460L01	2											
1b	Foam Tape	L=484	4A2460L01	2											
2	Front Panel (B)	SS	1A1076-01	1											
3	Chute	-	2A3448-01	1											
4	Grill	-	3A3485G01	1											
5	Push Switch	-	460111-01	1											
6	Push Switch Button	-	3A3871-01	1											
6a	T2 Screw	4x20, SS	7P32-0420	1											
7	Front Panel Brace	SS	4A4086-01	1											
7a	Foam Tape	L=700	4A2460L01	1											

H. Label Location

DKM-500BAH, DKM-500BWH

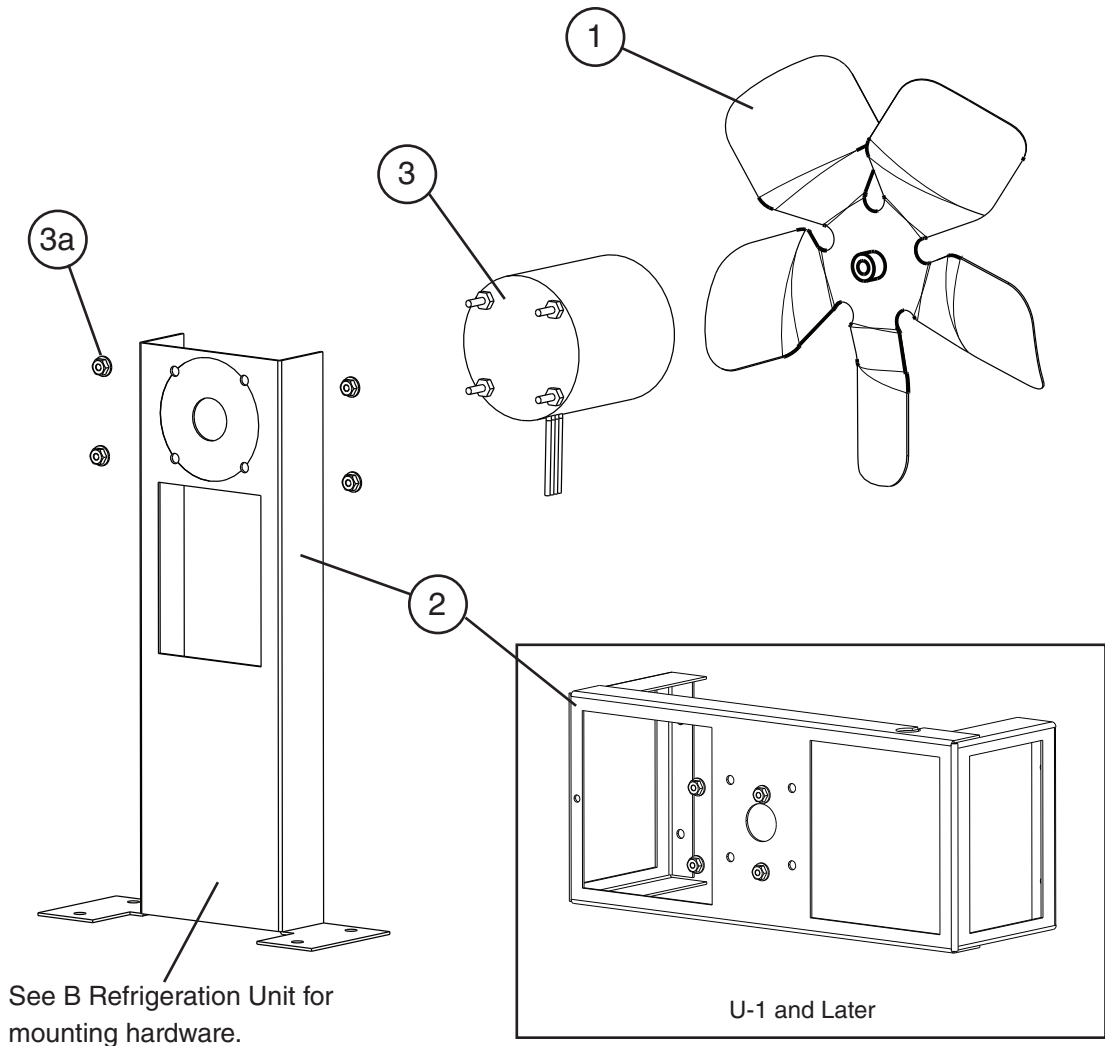
R-0 to A-6



Title: **H. Label Location** Model: **DKM-500BAH, DKM-500BWH**

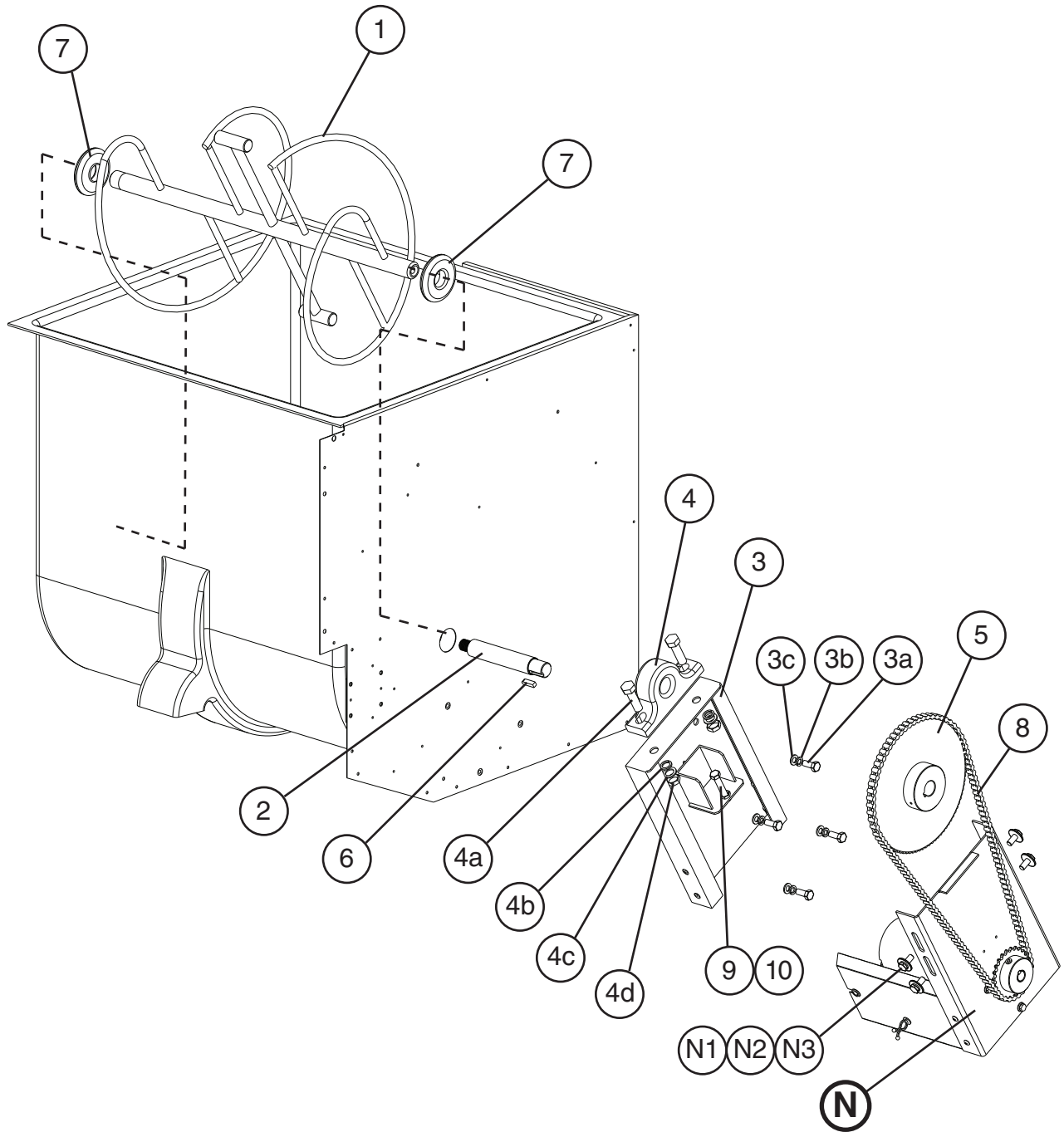
Index No.	Description	Material or Model Number	Part Number	Required Number									
				R-0 to S-1	T-0 to V-5	V-6	V-7 to A-6						
1	Emblem	-	4A0560-01	1	1	1	1						
2	Air Filter Label	DKM-500BAH	426177-01	2	2	2	2						
3	Control Board Label	-	3A2220-01	1	1	1	1						
4	R404A Label	-	4A0960-01	1	1	1	-						
5	Fuse Label	-	4A2817-01	1	1	1	-						
			4A4829-01				1						
6	Alarm Label	-	4A3517-01	1	1	1	-						
			4A4737-01				1						
7	Caution Label (F)	-	439146-01	1	1	1	-						
	Warning Label (F)		4A4767-01				1						
8	Caution Label (K)	-	439150-01	1	1	1	-						
	Warning Label (K)		4A4736-01				1						
9	Instruction Label	-	444575-01	1	1	1	1						
10	Instruction Sheet	-	2A3770-01	1	-								
11	Nameplate	DKM-500BAH	3A3879-01	1	1	1	-						
			3A6082-01				1						
		DKM-500BWH	3A3879-02		1	1	1						
12	Rating Label	DKM-500BAH	3A3880-01	1	1	1	-						
			3A6083-01				1						
		DKM-500BWH	3A3880-02		1	1	1						
13	Wiring Label	DKM-500BAH	3A3881-01	1	-								
			3A4806-01		1	1	-						
			3A6145-01				1						
		DKM-500BWH	3A4795-01		1	-							
			3A6146-01				1	1					
14	Maintenance Label	-	2A3769-01	1	1	1	1						
15	Switch Label	-	4A3991-01	1	1	1	1						
16	Penguin Label-HA (L)	-	4A0526-02	1	1	1	1						

J. Fan Motor Assembly
DKM-500BAH
 R-0 to A-6



Title: J. Fan Motor Assembly Model: DKM-500BAH									
Index No.	Description	Material or Model Number	Part Number	Required Number					
				R-0 to U-0	U-1 to A-6				
1	Fan Blade	AD10W32	444898-01	1	1				
2	Fan Motor Bracket	GS	2A3741-01	1	-				
			3A5406-01		1				
3	Fan Motor	5KCP84DFK148S	4A3158-01	1	1				
3a	Self-locking Nut	No. 8-32	7N2110832	4	4				

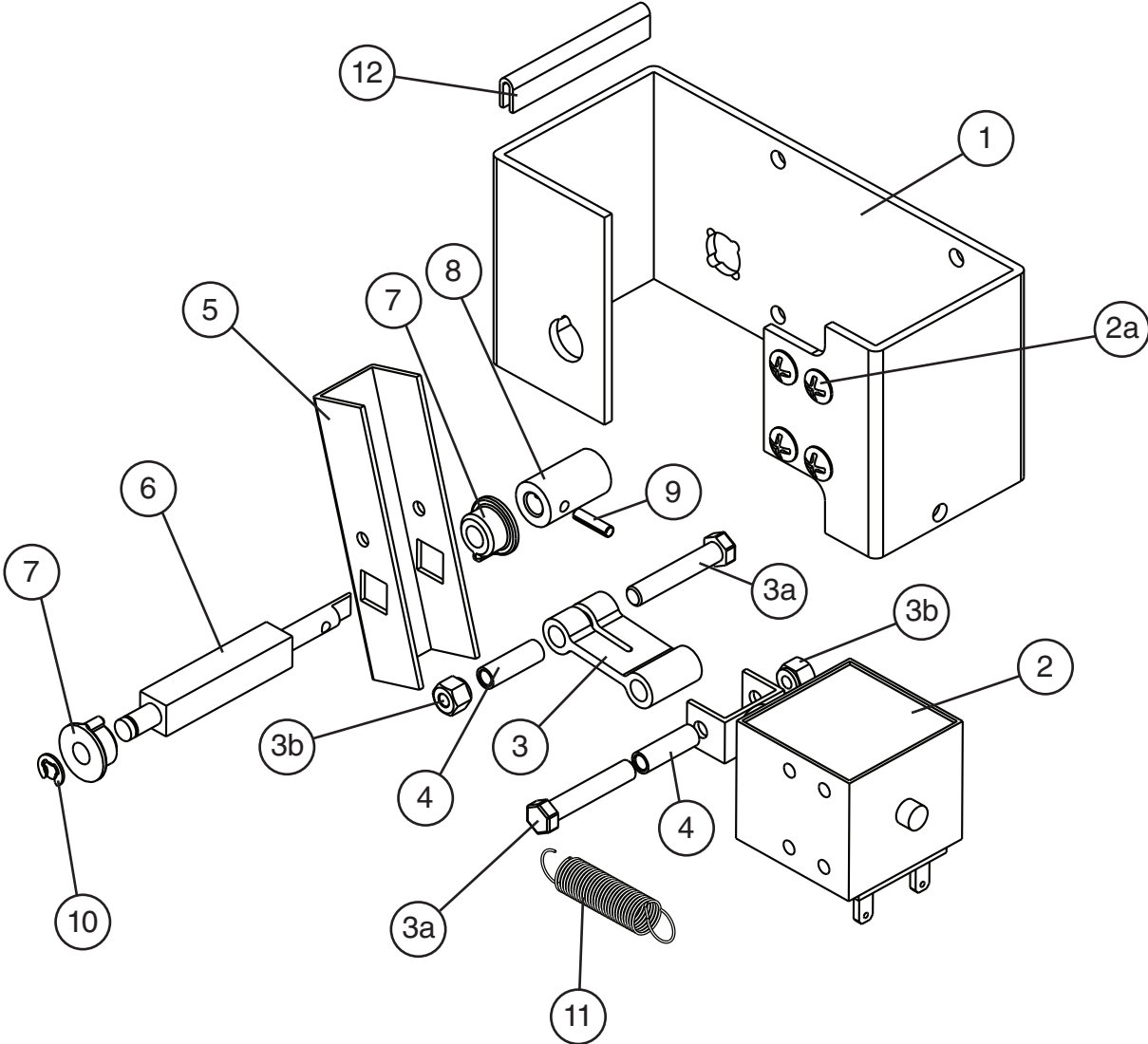
K. Mechanism Assembly
DKM-500BAH, DKM-500BWH
R-0 to A-6



Title: **K. Mechanism Assembly** Model: **DKM-500BAH, DKM-500BWH**

Index No.	Description	Material or Model Number	Part Number	Required Number								
				R-0 to S-1	T-0 to A-5	A-6						
N	Gear Motor Assembly	-	2A0443A03	1	-							
			2A0443A06		1	-						
			2A5461A02			1						
N1	Hex Head Bolt	8x20	7B01-0820	4	4	-						
	Hex Head Bolt wWasher (LF)		7B0130820			4						
N2	Split Lock Washer	M8	7L21-0800	4	4	-						
N3	Flat Washer	M8	7W21-0800	4	4	-						
1	Agitator	SS	212969G01	1	1	1						
2	Drive Shaft	SS	435551-01	1	1	1						
3	Gear Motor Bracket (A)	GS	2A0450G01	1	1	1						
3a	Hex Head Bolt	8x20	7B01-0820	4	4	4						
3b	Split Lock Washer	M8	7L21-0800	4	4	4						
3c	Flat Washer	M8	7W21-0800	4	4	4						
4	Pillow Block Bearing	UCP-205G00	435553-02	1	1	1						
4a	Hex Head Bolt	12x40	7B01-1240	2	2	2						
4b	Flat Washer	M12	7W21-1200	2	2	2						
4c	Split Lock Washer	M12	7L21-1200	2	2	2						
4d	Hex Nut	M12	7N11-1200	2	2	2						
5	Sprocket (B)	No. 35x65T (w/ 6x18 set screw)	435554-01	1	1	1						
6	Key	6x6x22	437265-01	1	1	1						
7	Seal (B)	EP-21	435558-01	2	2	2						
8	Chain	RK35, 130 pitches	435797-01	1	1	1						
9	Hex Head Bolt	8x45	7B01-0845	1	1	1						
10	Hex Nut	M8	7N11-0800	1	1	1						

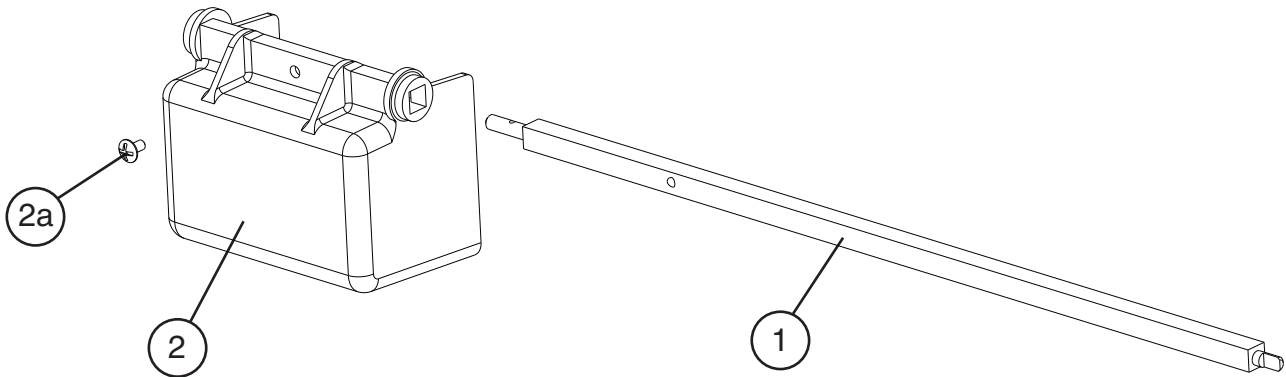
L. Solenoid Assembly
DKM-500BAH, DKM-500BWH
R-0 to A-6



Title: **L. Solenoid Assembly** Model: **DKM-500BAH, DKM-500BWH**

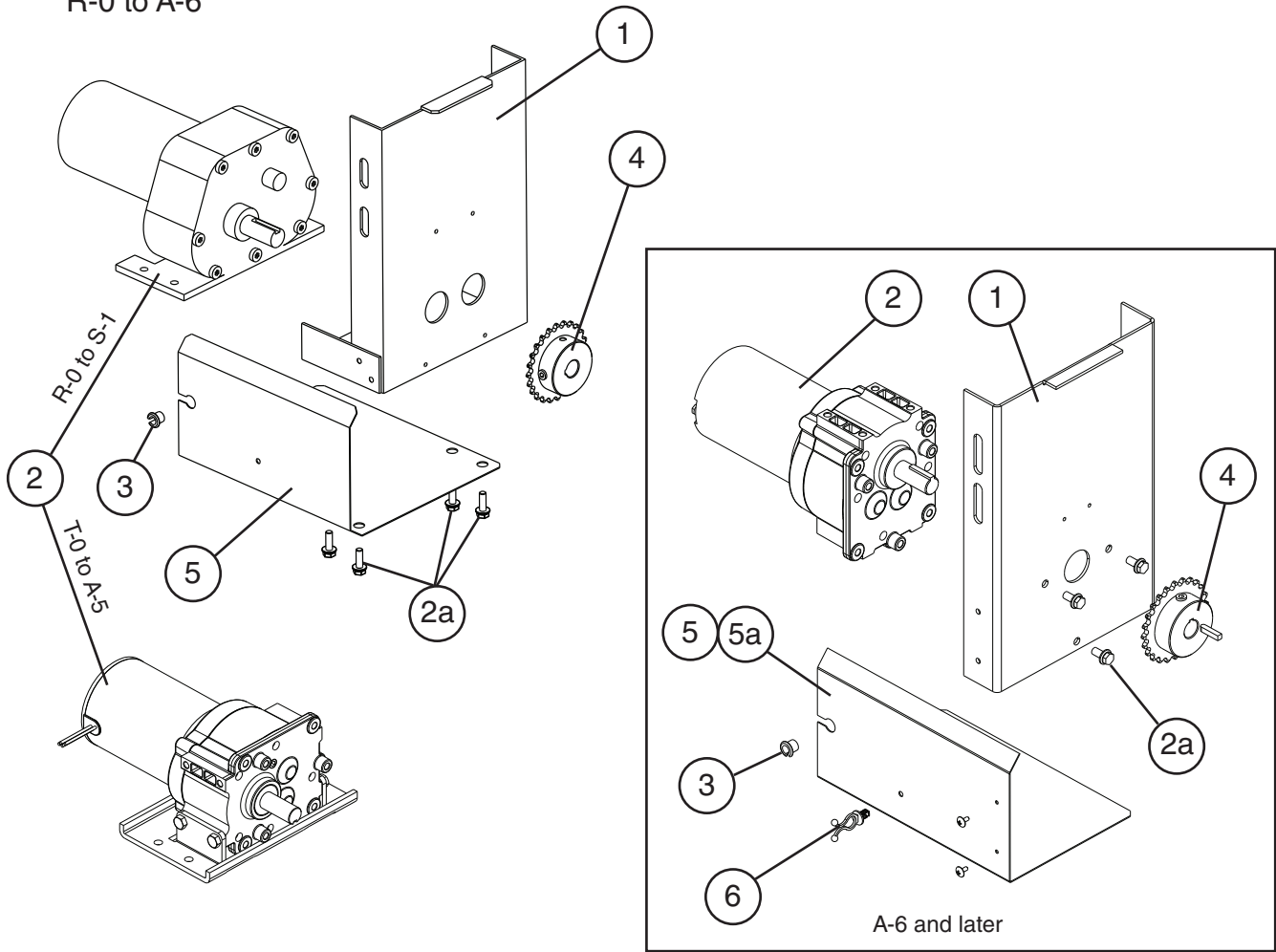
Index No.	Description	Material or Model Number	Part Number	Required Number									
				R-0 to S-0	S-1 to A-6								
1	Solenoid Bracket	GS	3A0533-01	1	1								
2	Solenoid	-	4A0856-01	1	1								
2a	Truss Head Screw	4x8, SS	7C32-0408	4	4								
3	Link	-	432232-01	1	1								
3a	Hex Head Bolt	4x30, SS	7B02-0430	2	2								
3b	Hex Nut	M4, SS	7N12-0400	2	-								
	Self-Locking Nut	M4, SS	7N22-0400		2								
4	Collar (D)	SS	432471-01	2	2								
5	Link-Solenoid	SS	439397-01	1	1								
6	Shaft	-	435532-01	1	1								
7	Collar-Shutter	-	435533-01	2	2								
8	Connector	-	435534-01	1	1								
9	Spring Pin	3x12, SS	712S-0312	1	1								
10	"E" Ring	SS, 5	721S-0005	1	1								
11	Spring	-	432878-01	1	1								
12	Rubber Gasket	CH-35, L=50	4A0662L01	1	1								

M. Shutter Assembly
DKM-500BAH, DKM-500BWH
 R-0 to A-6



Title: M. Shutter Assembly Model: DKM-500BAH, DKM-500BWH										
Index No.	Description	Material or Model Number	Part Number	Required Number						
				R-0 to A-6						
1	Shaft-Shutter	SS	328648-01	1						
2	Shutter (A)	POLYOXY-METHYLENE	215459-01	1						
2a	Truss Head Screw	4x8, SS	7C32-0408	1						

N. Gear Motor Assembly
DKM-500BAH, DKM-500BWH
R-0 to A-6



Title: N. Gear Motor Assembly Model: DKM-500BAH, DKM-500BWH				Required Number										
Index No.	Description	Material or Model Number	Part Number	R-0 to S-1	T-0 to A-5	A-6								
1	Gear Motor Bracket	GS	2A0123-01	1	1	-								
			2A5462-01			1								
2	Gear Motor	-	4A0183-01	1	-									
			4A4264-01		1	-								
			4A5055-01			1								
2a	Bolt	6x20	4A1989-01	4	4	-								
	Hex Head Bolt-Serrated	-	4A5135-01			3								
3	Bushing	OCB-500	428394-02	1	1									
4	Sprocket (A)	(w/ 5x14 set screw)	435557-01	1	-									
			(w/ 5x8 set screw)	4A4413-01		1								
5	Barrier (C)	GS	3A3588-01	1	1	-								
	Barrier (B)		3A5807-01			1								
5a	T2 Screw	4x8	7P31-0408			2								
6	Wire Tie		4A1223-01			1								

P. Accessories and Packaging
DKM-500BAH, DKM-500BWH
 R-0 to A-6

Title: P. Accessories and Packaging Model: DKM-500BAH, DKM-500BWH												
Index No.	Description	Material or Model Number	Part Number	R-0 to A-6	Required Number							
1	Instruction Manual	PAPER	91A4QA10C	1								
2	Adjustable Leg w/5" Toe (Blk)	-	4A2526-01	4								
3	Leg Protector	PE	3A0134-01	4								
Packaging			2A3854A01									